

Approximation by harmonic polynomials in  
star-shaped domains and exponential  
convergence of Trefftz  $hp$ -DGFEM

R. Hiptmair, A. Moiola, I. Perugia and Ch. Schwab

Research Report No. 2012-38  
November 2012

Seminar für Angewandte Mathematik  
Eidgenössische Technische Hochschule  
CH-8092 Zürich  
Switzerland

# APPROXIMATION BY HARMONIC POLYNOMIALS IN STAR-SHAPED DOMAINS AND EXPONENTIAL CONVERGENCE OF TREFFTZ *HP*-DGFEM\*

R. HIPTMAIR<sup>†</sup>, A. MOIOLA<sup>‡</sup>, I. PERUGIA<sup>§</sup>, AND CH. SCHWAB<sup>¶</sup>

**Abstract.** We study the approximation of harmonic functions by means of harmonic polynomials in two-dimensional, bounded, star-shaped domains. Assuming that the functions possess analytic extensions to a  $\delta$ -neighbourhood of the domain, we prove exponential convergence of the approximation error with respect to the degree of the approximating harmonic polynomial. All the constants appearing in the bounds are explicit and depend only on the shape-regularity of the domain and on  $\delta$ .

We apply the obtained estimates to show exponential convergence with rate  $O(\exp(-b\sqrt{N}))$ ,  $N$  being the number of degrees of freedom and  $b > 0$ , of a *hp*-dGFEM discretisation of the Laplace equation based on piecewise harmonic polynomials. This result is an improvement over the classical rate  $O(\exp(-b\sqrt[3]{N}))$ , and is due to the use of *harmonic polynomial spaces*, as opposed to complete polynomial spaces.

**1. Introduction.** We fix a domain that meets the following requirements, see Figure 1.1.

ASSUMPTION 1.1. *The domain  $D \subset \mathbb{C}$  is open and satisfies<sup>1</sup>*

- i)  $\text{diam}(D) = 1$ ;
- ii) *there exists  $0 < \rho \leq 1/2$  such that  $B_\rho \subseteq D$ ;*
- iii) *there exists  $0 < \rho_0 < \rho$  such that  $D$  is star-shaped with respect to  $B_{\rho_0}$ , i.e.,  $\forall w \in D$  and  $\forall v \in B_{\rho_0}$ , the straight segment with endpoints  $w$  and  $v$  is contained in  $\overline{D}$ .*

In this article we investigate the best approximation on  $D$  of a function  $f : D \rightarrow \mathbb{C}$  by means of (complex variable) polynomials. We obtain *exponential convergence* in the polynomial degree provided that  $f$  is holomorphic in an open neighbourhood of  $D$ . Our main approximation result from Section 4.2 reads as follows.<sup>2</sup>

THEOREM 1.2. *Fix  $0 < \delta \leq 1/2$  and define the inflated domain  $D_\delta = \{w \in \mathbb{C} : d(w, D) < \delta\}$ . There exist  $C, b > 0$  only depending on  $\rho, \rho_0$  and  $\delta$  such that, for any function  $f$  which is holomorphic and bounded in  $D_\delta$ , there is a sequence of polynomials  $\{q_p\}_{p \geq 1}$  of degree at most  $p$  such that*

$$\|f - q_p\|_{L^\infty(D)} \leq C e^{-bp} \|f\|_{L^\infty(D_\delta)}.$$

In Section 4, the values of  $C$  and  $b$  will be made *fully explicit* in terms of  $\delta$  and the geometry of  $D$ , and we will prove similar results for the derivatives of  $f$ .

Our considerations follow the pioneering work of M. Melenk in [25, Chapter II] and [26], refining and completing his arguments. The linchpin is Hermite's representation formula for the error of polynomial interpolation of holomorphic functions in complex domains, see Section 4.2. It is applied using, as integration contours, the level lines of the holomorphic mapping  $\varphi_D : \mathbb{C} \setminus \overline{B_1} \rightarrow \mathbb{C} \setminus \overline{D}$  provided by the Riemann mapping theorem. Thus we need rather precise information about the position of these level lines, and this information is

\*CS supported by the European Research Council (ERC) under Grant No ERC AdG247277

<sup>†</sup>Seminar of Applied Mathematics, ETH Zürich, 8092 Zürich, Switzerland (hiptmair@math.ethz.ch)

<sup>‡</sup>Department of Mathematics and Statistics, University of Reading, Whiteknights, Berkshire RG6 6AX, UK (a.moiola@reading.ac.uk)

<sup>§</sup>Department of Mathematics, University of Pavia, 27100 Pavia, Italy (ilaria.perugia@unipv.it)

<sup>¶</sup>Seminar of Applied Mathematics, ETH Zürich, 8092 Zürich, Switzerland (schwab@math.ethz.ch)

<sup>1</sup>We write  $B_r(w_0) := \{w \in \mathbb{C} : |w - w_0| < r\}$  and  $B_r := B_r(0)$ .

<sup>2</sup>Here and in the following, we denote the distance between a point  $w \in \mathbb{C}$  and a set  $\mathcal{D} \subset \mathbb{C}$  and the distance between two sets  $\mathcal{D}_1, \mathcal{D}_2 \subset \mathbb{C}$  by

$$d(w, \mathcal{D}) := \inf_{w' \in \mathcal{D}} |w - w'|, \quad d(\mathcal{D}_1, \mathcal{D}_2) := \inf_{w_1 \in \mathcal{D}_1, w_2 \in \mathcal{D}_2} |w_1 - w_2|.$$

gleaned in Section 3 by means of fairly intricate estimates. A result similar to Theorem 1.2 was stated in [25, Theorem 2.2.10]; the novelty of the present contribution lies in the *explicit expressions* for the constants  $C$  and  $b$  in terms of the parameters  $\delta$ ,  $\rho$  and  $\rho_0$  only.

Our work was motivated by the desire to obtain convergence estimates for the  $hp$ -version of Trefftz-type discontinuous Galerkin finite element methods (dGFEM) for second-order scalar elliptic boundary value problems. For the Laplace equation  $\Delta u = 0$ , these methods rely on harmonic polynomials for the local approximation on the cells of a mesh. Thus, with  $D$  standing for a mesh cell (after the identification of  $\mathbb{R}^2$  with  $\mathbb{C}$  and, possibly, a similarity transformation), estimates like that of Theorem 1.2 become instrumental for showing exponential convergence of the discretisation error in terms of the dimensions of the trial spaces. This will be outlined in Section 5, in the case of (straight) triangular and quadrilateral meshes, building on the substantial  $hp$ -dGFEM convergence theory of [38]. On geometrically graded meshes, this scheme features faster exponential convergence than standard methods, namely the energy norm of the error decays as  $\exp(-b\sqrt{N})$ ,  $N$  being the number of degrees of freedom and  $b > 0$ , as opposed to standard schemes which achieve only  $\exp(-b\sqrt[3]{N})$ . A dGFEM based on harmonic polynomial has already been introduced in [22, 23]; only the convergence under mesh refinement was discussed there.

We intend to pursue the extension of these results to more general second-order elliptic equations by means of the so-called Vekua theory [29, 34]. In particular, the extension to Helmholtz boundary value problems is relevant, since several Trefftz-type numerical schemes have recently been proposed for their efficient approximation at medium and high wave numbers; see [8, 13, 14, 19–21, 27, 30], the references therein, and the review in [28, §1.2].

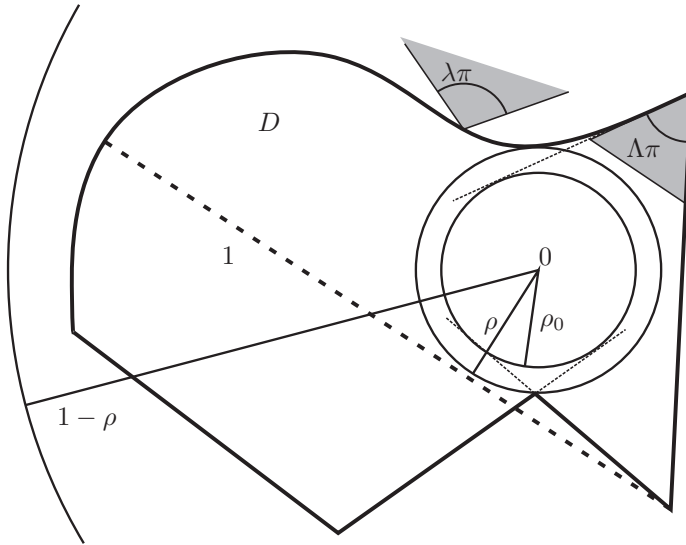


FIG. 1.1. Geometry of domain  $D$ , see Assumption 1.1.

We close this introduction with some remarks on the geometry of the domain  $D$  in our approximation results. We refer to Figure 1.1 for an illustration of the notation in the following statements. By Assumption 1.1,  $D$  is bounded, simply connected,  $0 \in D$  and  $D \subseteq B_{1-\rho}$ . Moreover,  $D$  satisfies the following *uniform cone conditions*: there exist  $H_0 > 0$ , and  $\Lambda, \lambda \in (0, 1]$  satisfying

$$\min\{\Lambda, \lambda\} \geq \frac{2}{\pi} \arcsin \frac{\rho_0}{1 - \rho}, \quad (1.1)$$

such that, for any  $w \in \partial D$ ,

- a) there exists a cone<sup>3</sup> with vertex  $w$ , opening angle  $\Lambda\pi$  and height  $H_0$  contained in  $\overline{D}$ ,
- b) there exists an infinite cone with vertex  $w$  and opening angle  $\lambda\pi$  contained in  $\mathbb{C} \setminus D$ .

The proof is postponed to Lemma A.1 in Appendix A. The uniform cone conditions imply that  $D$  is Lipschitz (see, e.g., [16, Theorem 1.2.2.2]).

REMARK 1.3. *If  $D$  is convex, we could choose  $\rho_0 = \rho$ . However, in order to avoid the discussion of special cases, we will always assume  $\rho_0 < \rho$ , obviously with no loss of generality.*

*We also notice that, in the convex case, the exterior cone condition holds with  $\lambda = 1$  (the cone is a half plane through  $w$  that does not intersect  $D$ ), while for the interior cone condition one always has  $\Lambda < 1$ .*

**2. Exterior conformal mappings.** Let  $\mathcal{D} \subset \mathbb{C}$  be a non-empty, simply connected “generic” domain that is either compact or open and bounded. Set  $\mathcal{D}^c := (\mathbb{C} \cup \{\infty\}) \setminus \mathcal{D}$  and  $B_1^c := (\mathbb{C} \cup \{\infty\}) \setminus \overline{B}_1$ . Owing to the Riemann mapping theorem, there exists a unique one-to-one conformal mapping  $\varphi_{\mathcal{D}} : B_1^c \rightarrow \mathcal{D}^c$  such that  $\varphi_{\mathcal{D}}(\infty) = \infty$  and  $\varphi'_{\mathcal{D}}(\infty)$  is real and positive. The proof can be found in [17, Corollary 5.10c] (where “regions” are non-empty, open, connected sets as defined in [17, §3.2]) or in [24, Vol. III, Theorems 1.2 and 1.3] after using the inversion across  $\partial B_1$ . If  $\partial \mathcal{D}$  is a Jordan curve, then  $\varphi_{\mathcal{D}}$  can be extended to a homeomorphism from  $\overline{B}_1^c \rightarrow \overline{\mathcal{D}^c}$ , i.e., it is bijective and continuous, with continuous inverse also on the boundary (see [31, §17.20] or [17, Theorem 5.10e]).

For every  $h > 0$ , we define the *level line* of  $\varphi_{\mathcal{D}}$  by

$$L_h[\overline{\mathcal{D}}] := \varphi_{\mathcal{D}}(\partial B_{1+h}). \quad (2.1)$$

Since  $\varphi_{\mathcal{D}}$  is a homeomorphism, the level line  $L_h[\overline{\mathcal{D}}]$  partitions  $\mathbb{C}$  into two connected components and we denote by  $\text{Int } L_h[\overline{\mathcal{D}}]$  the closure of the bounded connected component. Whenever  $\mathcal{D} = D$ , which satisfies Assumption 1.1, we set for brevity  $\varphi := \varphi_D$  and  $L_h := L_h[\overline{D}]$ .

In Section 16.5.II of [18] (eq. (16.5-7), page 374) and in [35, Sec. 4.4, p. 74]<sup>4</sup>, the value  $\varphi'_{\mathcal{D}}(\infty)$  (which is real and positive by definition of  $\varphi_{\mathcal{D}}$ ) is identified as the classic analytic capacity of  $\mathcal{D}$ .

If  $\mathcal{D}_1 \subset \mathcal{D}_2$ , then  $\varphi'_{\mathcal{D}_1}(\infty) \leq \varphi'_{\mathcal{D}_2}(\infty)$ . Besides, Theorem 16.6j of [18] asserts that  $\varphi'_{B_R(w)}(\infty) = R$  and, thus, for the domain  $D$ ,

$$\rho < \varphi'_D(\infty) < 1 - \rho. \quad (2.2)$$

Let  $P$  be a bounded *polygon* with counterclockwise ordered vertices  $\{w_k\}_{k=1}^N$  and corresponding internal angles  $\{\alpha_k\}_{k=1}^N$ . Then, using conformal inversion across  $\partial B_1$  and [11, Eq. 4.6], the conformal mapping  $\varphi_P$  is given by the Schwartz–Christoffel formula

$$\varphi_P(z) = A + C_{SC} \int^{1/z} \zeta^{-2} \prod_{k=1}^N \left(1 - \frac{\zeta}{z_k}\right)^{1-\alpha_k} d\zeta \quad |z| > 1, \quad (2.3)$$

where  $z_k = \varphi_P^{-1}(w_k)$ ,  $|z_k| = 1$ . We have  $\sum_{k=1}^N \alpha_k = N - 2$  (or  $\sum_{k=1}^N (1 - \alpha_k) = 2$ ); see also [24, Vol. III, eq. (9.10) page 331]. The constant  $A \in \mathbb{C}$  depends on translations of  $P$  and

<sup>3</sup>Following [25, Proposition 2.1.6] we call “cone” an isosceles triangle, “infinite cone” the sector of the plane delimited by two half lines with common origin, and “opening angle” the angle adjacent to the two sides with equal length of a cone, or to the two half lines of a infinite cone.

<sup>4</sup>Notice that, in both these references, the inverse conformal map  $\varphi_{\mathcal{D}}^{-1}$  is used.

on the initial point in the integration; the constant  $C_{SC}$  is related to rotations/dilations and from [11, p. 53] we have

$$|C_{SC}| = \varphi'_P(\infty). \quad (2.4)$$

The complex derivative of the Schwarz–Christoffel mapping can easily be computed as

$$\varphi'_P(z) = -C_{SC} \prod_{k=1}^N \left(1 - \frac{1}{zz_k}\right)^{1-\alpha_k} = -C_{SC} \frac{1}{z^2} \prod_{k=1}^N (z - \bar{z}_k)^{1-\alpha_k}, \quad (2.5)$$

where in the last step we have used  $|z_k| = 1$  and  $\sum_k (1 - \alpha_k) = 2$ . When  $z$  approaches one of the  $z_k$ 's, then  $\varphi'_P(z)$  tends either to 0 or to  $\infty$ , depending on the sign of  $1 - \alpha_k$ .

Next, we recall the estimates of [25, Lemma 2.1.3] applied to our domain  $D$ .

LEMMA 2.1. *Let  $\varphi$  be the conformal mapping from  $B_1^c$  onto  $D^c$ . Then*

$$\begin{aligned} d(L_h, L_{h'}) &\geq \frac{\rho^2}{8\varphi'(\infty)} \frac{h'}{(1+h)^3} (h-h') \quad \text{for } 0 < h' < h, \\ |\varphi'(z)| &\leq \frac{\varphi'(\infty)|z|}{|z|-1} \quad |z| > 1. \end{aligned}$$

*Proof.* We refer to [25, Appendix A.2] for the second bound, which is based on the ‘‘area formula’’ of [24, Vol. III, Th. 1.4], while here we report the proof of the first bound given in [25, Appendix A.2], taking into account our assumptions on  $D$ .

Fix  $0 < h' < h$ ;  $L_h, L_{h'}$  are compact, thus we can choose  $1 < |z_1| = 1 + h' < |z_2| = 1 + h$  such that  $d(L_h, L_{h'}) = |\varphi(z_2) - \varphi(z_1)|$ . Then,

$$\begin{aligned} h-h' &\leq |z_2 - z_1| = |\varphi^{-1}(\varphi(z_2)) - \varphi^{-1}(\varphi(z_1))| \\ &= \left| \int_{\varphi(z_1)}^{\varphi(z_2)} (\varphi^{-1})'(w) dw \right| \leq |\varphi(z_2) - \varphi(z_1)| \sup_{1+h' \leq |\varphi^{-1}(w)| \leq 1+h} |(\varphi^{-1})'(w)| \\ &= |\varphi(z_2) - \varphi(z_1)| \sup_{1+h' \leq |z| \leq 1+h} \left| \frac{1}{\varphi'(z)} \right| \\ &\stackrel{[25, p. 165]}{\leq} |\varphi(z_2) - \varphi(z_1)| \varphi'(\infty) \sup_{1+h' \leq |z| \leq 1+h} \frac{(1+|z|)^3}{(|z|-1)|\varphi(z)|^2} \\ &\leq d(L_h, L_{h'}) \varphi'(\infty) \frac{(2+h)^3}{h'\rho^2} \leq d(L_h, L_{h'}) \varphi'(\infty) \frac{8(1+h)^3}{h'\rho^2}, \end{aligned}$$

which gives the result. The bound we used from [25, p. 165] is a consequence of the ‘‘distortion theorem’’, see [24, Vol. III, Theorems 1.7 and 1.9].  $\square$

The following result is a direct consequence of Schwarz’s Lemma [17, Theorem 5.10b], i.e., of the fact that every holomorphic function  $f : B_1 \rightarrow B_1$  satisfies  $|f(z)| \leq |z| \forall z \in B_1$ , applied to the function  $z \mapsto 1/(\varphi_{\mathcal{D}_1}^{-1}(\varphi_{\mathcal{D}_2}(1/z)))$ .

LEMMA 2.2. *Let  $\mathcal{D}_1 \subset \mathcal{D}_2$  be two bounded, simply connected, Lipschitz domains. Then*

$$\text{Int } L_h[\mathcal{D}_1] \subset \text{Int } L_h[\mathcal{D}_2] \quad \forall h > 0.$$

**3. Distance estimates for level lines of  $\varphi_D$ .** We need precise quantitative information of how far the level lines  $L_h$  move away from  $\partial D$  as  $h$  increases. It is provided by the following key result.

**THEOREM 3.1.** *Let  $L_h$  be the  $h$ -level line of the conformal mapping of  $D$ . Define  $0 < \xi \leq 1$  as*

$$\xi := \begin{cases} \frac{2}{\pi} \arcsin \frac{\rho_0}{1-\rho} & \text{if } D \text{ is non convex,} \\ 1 & \text{if } D \text{ is convex.} \end{cases}$$

Then, provided that  $0 < h \leq 1$ , we have

$$\forall w \in \partial D, \forall w_h \in L_h, \quad |w - w_h| \geq C_I h^2, \quad (3.1)$$

$$\forall w_h \in L_h \exists w \in \partial D : \quad |w - w_h| \leq C_E h^\xi, \quad (3.2)$$

where we have set

$$C_I := \frac{\rho}{4}, \quad C_E := \frac{27}{\xi}.$$

**REMARK 3.2.** *In the case of a convex polygonal domain  $D$ , (3.2) holds with  $C_E = 9$  instead of 27 and, for more general convex domains,  $C_E$  can be improved up to  $9 + c_0$ , with any  $c_0 > 0$ ; see Section 3.2 below.*

**REMARK 3.3.** *The bounds (3.1) and (3.2) can be rewritten as*

$$d(L_h, \partial D) \geq C_I h^2, \quad d(w_h, \partial D) \leq C_E h^\xi \quad \forall w_h \in L_h.$$

A result in the spirit of Theorem 3.1 is proved in [25, Proposition 2.1.6]. There, an upper bound for  $d(w, L_h)$  with  $w \in \partial D$  is given, which is different from our estimate (3.2). Another difference is that the exponents of  $h$  in the bounds (3.1) and (3.2), as well as the expressions of the constants  $C_I$  and  $C_E$ , are specified under our assumptions on  $D$ .

The proofs of the two bounds (3.1) and (3.2) are given in the following Section 3.1 and 3.2, respectively. On first reading these may be skipped.

**3.1. Proof of the lower bound (3.1).** We state the following auxiliary result.

**LEMMA 3.4.** *Let  $S \subset \mathbb{C}$  be the segment  $[-\rho, \rho]$ ,  $\rho > 0$ , on the real axis. Then*

$$d(\rho, L_h[S]) = \frac{\rho h^2}{2(1+h)} \quad \forall h > 0.$$

*Proof.* For any  $\rho > 0$ , the Joukowski map [17, §5.1, page 294]

$$J(z) = \frac{\rho}{2} \left( z + \frac{1}{z} \right) \quad (3.3)$$

is the conformal mapping that maps  $B_1^c$  in the exterior of the segment  $S$ , with  $J(\partial B_1) = S$ ,  $J(\infty) = \infty$  and  $J'(\infty) = \rho/2$ . It level lines are ellipses whose foci are the endpoints of  $S$ . For every  $h > 0$ ,

$$\begin{aligned} d(\rho, L_h[S]) &= \min_{z \in \partial B_{1+h}} |\rho - J(z)| \\ &= \min_{\theta \in [-\pi, \pi]} \left| \rho - \frac{\rho}{2} \left( (1+h)e^{i\theta} + \frac{1}{(1+h)e^{i\theta}} \right) \right| \\ &= \frac{\rho}{2(1+h)} \min_{\theta \in [-\pi, \pi]} \left| \frac{2(1+h)e^{i\theta} - (1+h)^2 e^{2i\theta} - 1}{e^{i\theta}} \right| \\ &= \frac{\rho}{2(1+h)} \min_{\theta \in [-\pi, \pi]} |(1+h)e^{i\theta} - 1|^2; \end{aligned}$$

the minimum is  $h^2$  and it is achieved for  $\theta = 0$ ; the proof is complete.  $\square$

*Proof of (3.1).* The proof proceeds along the lines of [25, Proposition 2.1.6]. Since  $D$  is star-shaped with respect to the origin and  $B_\rho \subseteq D$ , then for any  $w \in \partial D$ , there exists a (closed) straight segment  $S_w$  with one endpoint at  $w$  and length  $2\rho$  such that  $S_w \subset \overline{D}$ . By Lemma 3.4 and Lemma 2.2, we have

$$\frac{\rho h^2}{2(1+h)} = d(w, L_h[S_w]) \leq d(w, L_h) \quad \forall w \in \partial D,$$

which implies (3.1) with  $C_I = \rho/4$ , since  $h \leq 1$ .  $\square$

REMARK 3.5. In Proposition 2.1.6 of [25] a bound similar to (3.1) was established with a better power of  $h$ , i.e.,  $2 - \Lambda$  instead of 2. This was proved by comparing the level lines of  $D$  with those of a triangle, instead of comparing with those of a segment. We were not able to prove this result with a fully explicit constant  $C_I$ . On the other hand, exponent 2 is sufficient to establish exponential convergence for the approximations of holomorphic functions by complex polynomials.

**3.2. Proof of the upper bound (3.2) for convex domains.** In this section we consider the case of convex  $D$ , which already reveals the key ideas with moderate technical complexity. For the much more intricate case of general  $D$  with non convex boundary, we refer to Appendix B.

*Proof of (3.2) for convex domains.* We consider first the case when  $D$  is a convex polygon (with straight sides) with vertices  $\{w_k\}_{k=1}^N$  and corresponding internal angles  $\{\alpha_k\}_{k=1}^N$ ; set  $z_k = \varphi^{-1}(w_k) \in \partial B_1$ ,  $k = 1, \dots, N$ .

Fix  $w_h \in L_h$  and set  $z_h = \varphi^{-1}(w_h) \in \partial B_{1+h}$ ; thus  $z_h = (1+h)e^{i\theta}$ , for some  $\theta \in [-\pi, \pi]$ . Define  $z = e^{i\theta}$ ,  $w = \varphi(z)$ , and denote by  $S$  the straight segment of length  $h$  connecting  $z$  and  $z_h$ . From (2.5) and (2.4) we have

$$|w_h - w| = |\varphi(z_h) - \varphi(z)| \leq \int_S |\varphi'(y)| \, dy \leq \varphi'(\infty) \int_S \frac{1}{|y|^2} \prod_{k=1}^N |y - \bar{z}_k|^{1-\alpha_k} \, dy.$$

For any  $y \in S$ , we have  $|y - \bar{z}_k| \leq 2+h$  and, due to the convexity of  $D$ ,  $1 - \alpha_k \geq 0$ ,  $k = 1, \dots, N$ . Then, recalling that  $\sum_{k=1}^N (1 - \alpha_k) = 2$ , we arrive at

$$\prod_{k=1}^N |y - \bar{z}_k|^{1-\alpha_k} \leq (2+h)^{\sum_{k=1}^N (1-\alpha_k)} = (2+h)^2.$$

Notice that this bound is independent of the number  $N$  of the vertices of  $P$ . Using  $|y| \geq 1$  and (2.2), since  $h \leq 1$ , we obtain

$$|w_h - w| \leq (1-\rho)(2+h)^2 \int_S 1 \, dy \leq (2+h)^2 h \leq 9h.$$

If a convex  $D$  has more general shape, we exploit the fact that, for any fixed  $\varepsilon > 0$ , we can find a convex polygon  $P_\varepsilon$  containing  $D$  such that, for all  $w \in \partial P_\varepsilon$ ,  $d(w, \partial D) < \varepsilon$ , [36, Theorem 3.1.6]; for  $\varepsilon$  small enough,  $P_\varepsilon \subset B_1$ , thus  $\varphi'_{P_\varepsilon}(\infty) \leq 1$ .

Fix  $w_h \in L_h = L_h[\overline{D}]$ . Let  $P_\varepsilon$  be an approximating polygon as before, with  $\varepsilon \leq \frac{1}{2}d(w_h, \partial D)$ . Then,  $w_h \in L_{h'}[\overline{P_\varepsilon}]$  with  $h' \leq h$ , as a consequence of Lemma 2.2. Let  $z_{h'} = \varphi_{P_\varepsilon}^{-1}(w_h) = (1+h')e^{i\theta}$ , and define  $z = e^{i\theta}$ . Then,

$$d(w_h, \partial D) \leq d(w_h, \varphi_{P_\varepsilon}(z)) + d(\varphi_{P_\varepsilon}(z), \partial D) = |\varphi_{P_\varepsilon}(z_{h'}) - \varphi_{P_\varepsilon}(z)| + d(\varphi_{P_\varepsilon}(z), \partial D)$$

$$\leq (2 + h')^2 h' + \varepsilon \leq (2 + h)^2 h + \frac{1}{2} d(w_h, \partial D),$$

which implies

$$d(w_h, \partial D) \leq 2(2 + h)^2 h \leq 18h.$$

□

**4. Interpolation estimates.** In this section, we prove error estimates for the approximation of holomorphic functions by means of polynomials. We first state some auxiliary results.

**4.1. Auxiliary results.** We define the “polar parametrisation”  $\Psi : \mathbb{C} \rightarrow \mathbb{C}$  such that

$$\Psi(B_1) = D, \quad \Psi(re^{i\theta}) = \psi(\theta)re^{i\theta}, \quad \psi : [-\pi, \pi] \rightarrow [\rho, 1 - \rho].$$

LEMMA 4.1. *The function  $\psi : [-\pi, \pi] \rightarrow [\rho, 1 - \rho]$  is Lipschitz continuous with constant  $L_\psi$  satisfying*

$$L_\psi := \sup_{\theta \in [-\pi, \pi]} \psi'(\theta) \leq \frac{(1 - \rho)^2}{\rho_0}.$$

*Proof.* Assumption 1.1 guarantees that  $D$  is a Lipschitz domain, therefore by Rademacher’s theorem (see [12, §3.1.2]),  $\psi$  is differentiable almost everywhere and, for almost every point of  $\partial D$ , there exists a tangent line. Because of the star-shapedness requirement, no tangent line to  $\partial D$  can intersect the open ball  $B_{\rho_0}$ .

Therefore the steepest (in polar coordinates) possible tangent line at a point  $\psi(\theta)$  is tangent to  $\partial B_{\rho_0}$ . Since the angular derivative of a straight line is larger for points with larger moduli, we can bound  $\psi'(\theta)$  with the angular derivative at  $\theta = 0$  of one of the two straight lines through  $1 - \rho$  that are tangent to  $B_{\rho_0}$ .

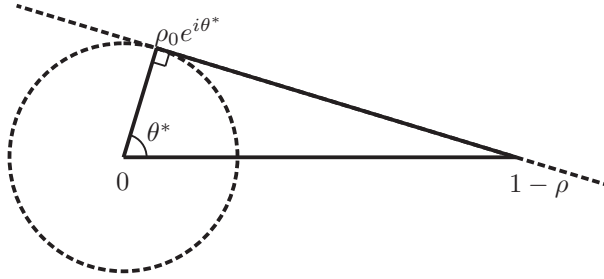


FIG. 4.1. *The extremal case in the proof of Lemma 4.1 and the angle  $\theta^*$ .*

This line has polar representation  $r(\theta) = \rho_0 / \cos(\theta^* - \theta)$ , where  $\theta^* = \arccos \frac{\rho_0}{1 - \rho}$  (i.e.,  $\theta^*$  is the angle at 0 of the rectangular triangle of vertices 0,  $1 - \rho$  and the tangent point of the line to  $\partial B_{\rho_0}$ ; see Figure 4.1). Its “polar slope” in  $\theta = 0$  is given by

$$\begin{aligned} |r'(\theta)|_{\theta=0} &= \left[ \frac{\rho_0 |\sin(\theta^* - \theta)|}{\cos^2(\theta^* - \theta)} \right]_{\theta=0} = \frac{\rho_0 |\sin \theta^*|}{\cos^2 \theta^*} \\ &= \frac{(1 - \rho)^2}{\rho_0} \left| \sin \arccos \frac{\rho_0}{1 - \rho} \right| \leq \frac{(1 - \rho)^2}{\rho_0}. \end{aligned}$$



Then  $|\psi'(0)| \leq \frac{(1-\rho)^2}{\rho_0}$  and the proof is complete.  $\square$

The inverse of  $\Psi$  is given by  $\Psi^{-1}(re^{i\theta}) = \frac{1}{\psi(\theta)}re^{i\theta}$  or, in Cartesian coordinates (after the identification of  $\mathbb{C}$  with  $\mathbb{R}^2$ ),

$$\Psi^{-1}(r \cos \theta, r \sin \theta) = \left( \frac{r}{\psi(\theta)} \cos \theta, \frac{r}{\psi(\theta)} \sin \theta \right) =: (F_1, F_2). \quad (4.1)$$

Of course,  $\Psi^{-1}$  is Lipschitz continuous as well, and an estimate for its Lipschitz constant is given in the next Lemma.

LEMMA 4.2. *The function  $\Psi^{-1} : \mathbb{C} \rightarrow \mathbb{C}$  is Lipschitz continuous with constant  $L_{\Psi^{-1}}$  satisfying*

$$L_{\Psi^{-1}} := \sup_{w, v \in \mathbb{C}, w \neq v} \frac{|w - v|}{|\Psi(w) - \Psi(v)|} \leq \frac{2(2\rho + L_\psi)}{\rho^2},$$

with  $L_\psi$  as in Lemma 4.1.

*Proof.* Let  $D\Psi^{-1}$  be the Jacobian of  $\Psi^{-1}$ . Considering the representation (4.1) of  $\Psi^{-1}$ , we have

$$\begin{aligned} \frac{\partial F_1}{\partial x} &= \frac{x \cos \theta}{r \psi(\theta)} - \frac{y}{r} \frac{-\sin \theta \psi'(\theta) + \cos \theta \psi''(\theta)}{(\psi(\theta))^2}, \\ \frac{\partial F_2}{\partial x} &= \frac{x \sin \theta}{r \psi(\theta)} - \frac{y}{r} \frac{\cos \theta \psi'(\theta) + \sin \theta \psi''(\theta)}{(\psi(\theta))^2}, \\ \frac{\partial F_1}{\partial y} &= \frac{y \cos \theta}{r \psi(\theta)} + \frac{x}{r} \frac{-\sin \theta \psi'(\theta) + \cos \theta \psi''(\theta)}{(\psi(\theta))^2}, \\ \frac{\partial F_2}{\partial y} &= \frac{y \sin \theta}{r \psi(\theta)} + \frac{x}{r} \frac{\cos \theta \psi'(\theta) + \sin \theta \psi''(\theta)}{(\psi(\theta))^2}. \end{aligned}$$

Since  $|x|, |y| \leq r$  and  $0 < \rho < |\psi(\theta)| < 1$ , we can bound  $\|D\Psi^{-1}\|_{L^\infty(\mathbb{C})}$  (in the matrix  $\infty$ -norm) as

$$\|D\Psi^{-1}\|_{L^\infty(\mathbb{C})} \leq 2 \left( \frac{1}{\rho} + \frac{1}{\rho} + \frac{L_\psi}{\rho^2} \right) = \frac{2(2\rho + L_\psi)}{\rho^2}.$$

Since  $L_{\Psi^{-1}} = \|D\Psi^{-1}\|_{L^\infty(\mathbb{C})}$  the proof is complete.  $\square$

LEMMA 4.3. *For every positive  $h$ , the following bound holds:*

$$|e^{i\theta} - (1+h)|^2 \geq \left( \frac{2}{\pi} \right)^2 (\theta^2 + h^2) =: C_B^2 (\theta^2 + h^2) \quad \forall \theta \in [-\pi, \pi].$$

*Proof.* Using  $1 - \cos \theta \geq \frac{2}{\pi^2} \theta^2$  for any  $\theta \in [-\pi, \pi]$ , we have

$$|e^{i\theta} - (1+h)|^2 = (1+h - \cos \theta)^2 + (\sin \theta)^2 = h^2 + 2(1 - \cos \theta)(h+1) \geq \frac{4}{\pi^2} (\theta^2 + h^2).$$

$\square$

Now, we provide a refined version of [25, Lemma 2.1.8].

LEMMA 4.4. *If  $0 < h \leq C_I$  is such that  $L_h \subset B_{1+\rho}$  and  $w_0 \in L_h$ , then*

$$\int_{\partial D} \frac{1}{|w - w_0|} dw \leq C_D |\log h|,$$

where

$$C_D = 4\pi\sqrt{2}L_\psi L_{\Psi^{-1}},$$

with  $L_\psi$  and  $L_{\Psi^{-1}}$  as in Lemma 4.1 and Lemma 4.2, respectively.

*Proof.* Fix  $w_0 \in L_h$ , and assume, with no loss of generality, that  $w_0$  is on the positive real axis. Define  $d := w_0 - \psi(0)$  and notice that  $d(w_0, \partial D) \leq d \leq 1$ .

Setting  $w(\theta) := \Psi(e^{i\theta}) = \psi(\theta)e^{i\theta} \in \partial D$ , using Lemma 4.2, Lemma 4.3 and  $\psi(\theta) < 1$ , we obtain, for all  $\theta \in [-\pi, \pi]$ ,

$$\begin{aligned} |w(\theta) - w_0|^2 &\geq L_{\Psi^{-1}}^{-2} |\Psi^{-1}(w(\theta)) - \Psi^{-1}(w_0)|^2 = L_{\Psi^{-1}}^{-2} |e^{i\theta} - w_0/\psi(0)|^2 \\ &\geq L_{\Psi^{-1}}^{-2} C_B^2 \left[ \theta^2 + \left( \frac{w_0}{\psi(0)} - 1 \right)^2 \right] = L_{\Psi^{-1}}^{-2} C_B^2 \left[ \theta^2 + \left( \frac{w_0 - \psi(0)}{\psi(0)} \right)^2 \right] \\ &> L_{\Psi^{-1}}^{-2} C_B^2 [\theta^2 + (w_0 - \psi(0))^2] = \frac{4}{\pi^2} L_{\Psi^{-1}}^{-2} (\theta^2 + d^2) =: L_D^2 (\theta^2 + d^2). \end{aligned} \quad (4.2)$$

Then,

$$\begin{aligned} \int_{\partial D} \frac{1}{|w - w_0|} dw &= \int_{-\pi}^{\pi} \frac{1}{|w(\theta) - w_0|} |w'(\theta)| d\theta \stackrel{\text{Lem. 4.1}}{\leq} L_\psi \int_{-\pi}^{\pi} \frac{1}{|w(\theta) - w_0|} d\theta \\ &\stackrel{(4.2)}{\leq} L_\psi L_D^{-1} \int_{-\pi}^{\pi} \frac{1}{\sqrt{\theta^2 + d^2}} d\theta \leq 2\sqrt{2}L_\psi L_D^{-1} \int_0^\pi \frac{1}{\theta + d} d\theta \\ &\leq 2\sqrt{2}L_\psi L_D^{-1} (\log(\pi + d) - \log d). \end{aligned}$$

Since

$$h \leq C_I = \frac{\rho}{4} \leq \frac{1}{8} < \frac{1}{\pi + 1} \leq \frac{1}{\pi + d} < 1,$$

we have  $\log(\pi + d) \leq |\log h|$  and

$$\begin{aligned} \int_{\partial D} \frac{1}{|w - w_0|} dw &\leq 2\sqrt{2}L_\psi L_D^{-1} (|\log h| + |\log d|) \\ &\stackrel{d \geq d(w_0, \partial D)}{\leq} 2\sqrt{2}L_\psi L_D^{-1} (|\log h| + |\log d(w_0, \partial D)|) \\ &\stackrel{w_0 \in L_h, (3.1)}{\leq} 2\sqrt{2}L_\psi L_D^{-1} (|\log C_I| + 3|\log h|) \\ &\stackrel{h \leq C_I < 1}{\leq} 8\sqrt{2}L_\psi L_D^{-1} |\log h| = \underbrace{4\pi\sqrt{2}L_\psi L_{\Psi^{-1}}}_{=: C_D} |\log h|, \end{aligned}$$

where we can use (3.1), because  $h \leq C_I < 1$ .  $\square$

REMARK 4.5. Using Lemma 4.2, Lemma 4.1 and  $\rho_0 < \rho \leq 1/2$ , we have the bound

$$\begin{aligned} C_D &= 4\pi\sqrt{2}L_\psi L_{\Psi^{-1}} \leq 4\pi\sqrt{2}L_\psi \frac{2(2\rho + L_\psi)}{\rho^2} \leq 8\pi\sqrt{2} \frac{(1 - \rho)^2(2\rho\rho_0 + (1 - \rho)^2)}{\rho_0^2\rho^2} \\ &\leq \frac{8\pi\sqrt{2}}{\rho_0^2\rho^2} [(1 - \rho)^2(2\rho^2 + (1 - \rho)^2)] \leq \frac{8\pi\sqrt{2}}{\rho_0^2\rho^2} [(1 - \rho)^2(1 + \rho^2)] \leq \frac{8\pi\sqrt{2}}{\rho_0^2\rho^2}, \end{aligned}$$

since  $(1 - \rho)^2(1 + \rho^2) = 1 - 2\rho + 2\rho^2 - 2\rho^3 + \rho^4 < 1$ .

Define the sequence of complex polynomials  $\{\omega_p\}_{p \in \mathbb{N}}$  with

$$\omega_p(w) := \prod_{k=0}^{p-1} (w - \varphi(e^{2\pi i k/p})),$$

where  $\varphi$  is the exterior conformal mapping of  $D$ .

LEMMA 4.6. [25, Lemma 2.2.9] Under the same hypothesis on  $h$  as in Lemma 4.4 we find

$$h^{C_D} |\varphi'(\infty)|^p (1+h)^p \leq |\omega_p(w)| \leq h^{-C_D} |\varphi'(\infty)|^p (1+h)^p \quad \forall w \in L_h, \forall p \in \mathbb{N},$$

where  $C_D$  is the constant in Lemma 4.4.

*Proof.* We refer to the proof of [25, Lemma 2.2.9]. The constant at the exponents of  $h$  is equal to  $C_D$  and the threshold on  $h$  is the one needed by Lemma 4.4.  $\square$

**4.2. Main interpolation estimates.** As in Theorem 1.2, for  $\delta > 0$ , define the inflated domain

$$D_\delta := \{w \in \mathbb{C} : d(w, D) < \delta\}. \quad (4.3)$$

Assume  $\ell > 0$ ; then Theorem 3.1 guarantees that

$$0 < h < \frac{1}{\ell} \left( \frac{\delta}{C_E} \right)^{1/\xi} \quad \Rightarrow \quad L_{\ell h} \subset D_\delta.$$

Our main approximation results is a refinement of [25, Theorem 2.2.10].

THEOREM 4.7. Fix  $0 < \delta \leq 1/2$ . Provided that

$$0 < h < h^*(\delta) := \min \left\{ \frac{1}{3} \left( \frac{\delta}{C_E} \right)^{1/\xi}, \frac{\rho}{4} \right\}, \quad (4.4)$$

there exist  $C_{\text{appr}} > 0$  and  $\alpha > 0$  depending only on  $D$  through  $\rho$  and  $\rho_0$ , such that, for any  $f$  holomorphic in  $D_\delta$ , there is a sequence of polynomials  $\{q_p\}_{p \geq 1}$  of degree at most  $p$  such that

$$\|f - q_p\|_{L^\infty(\text{Int } L_h)} \leq C_{\text{appr}} h^{-\alpha} (1+h)^{-p} \|f\|_{L^\infty(\text{Int } L_{3h})},$$

where

$$C_{\text{appr}} \leq \frac{20(1-\rho)^2}{3\rho^2} \leq \frac{7}{\rho^2}, \quad \alpha \leq 3 + \frac{16\sqrt{2}\pi}{\rho_0^2 \rho^2} \leq \frac{72}{\rho_0^2 \rho^2}.$$

REMARK 4.8. Compared to [25, Theorem 2.2.10], this estimate features fully explicit bounds in terms of shape parameters of  $D$ . Moreover, no complete proof of Theorem 2.2.10 was given in [25], cf. Remark 3.3.

*Proof of Theorem 4.7.* We choose  $q_p$  as the polynomial of degree  $p$  which interpolates  $f$  at the  $p+1$  points  $\varphi(e^{2\pi i k/(p+1)})$ ,  $k = 0, \dots, p$ . Since  $L_{3h} \subset D_\delta$ , using the Hermite interpolation error formula (see [25, p. 17] or [9, Theorem 3.6.1]), we have

$$\begin{aligned} \|f - q_p\|_{L^\infty(\text{Int } L_h)} &= \sup_{w \in \text{Int } L_h} \left| \frac{1}{2\pi i} \int_{L_{3h}} \frac{\omega_p(w)f(t)}{\omega_p(t)(t-w)} dt \right| \\ &\leq \frac{\text{length}(L_{3h}) \sup_{w \in \text{Int } L_h} |\omega_p(w)| \|f\|_{L^\infty(\text{Int } L_{3h})}}{2\pi \inf_{t \in \text{Int } L_{3h}} |\omega_p(t)| d(L_h, L_{3h})}. \end{aligned}$$

Since  $\varphi$  is a curve parametrisation  $\varphi : \partial B_{1+3h} \rightarrow L_{3h}$ ,

$$\text{length}(L_{3h}) \leq 2\pi(1+3h) \sup_{|z|=1+3h} |\varphi'(z)|;$$

this, together with the lower bound of  $d(L_h, L_{3h})$  and the upper bound of  $|\varphi'(z)|$  given in Lemma 2.1, and the bounds in Lemma 4.6, gives

$$\begin{aligned} \|f - q_p\|_{L^\infty(\text{Int } L_h)} &\leq \frac{8(1+3h)^5 \varphi'(\infty)^2}{6h^3 \rho^2} (3h^2)^{-C_D} \left(\frac{1+h}{1+3h}\right)^p \|f\|_{L^\infty(\text{Int } L_{3h})} \\ &\leq \frac{4\varphi'(\infty)^2}{3^{1+C_D} \rho^2} h^{-3-2C_D} \left(\frac{1+h}{1+3h}\right)^p (1+3h)^5 \|f\|_{L^\infty(\text{Int } L_{3h})} \\ &\leq \frac{20(1-\rho)^2}{3\rho^2} h^{-3-2C_D} \left(\frac{1}{1+h}\right)^p \|f\|_{L^\infty(\text{Int } L_{3h})}, \end{aligned}$$

where in the last step we have used  $3^{1+C_D} > 3$ ,  $|\varphi'(\infty)| < 1 - \rho$ ,  $\frac{1+h}{1+3h} \leq \frac{1}{1+h}$ , and  $(1+3h)^5 < 5$ , since  $h \leq \rho/4 \Rightarrow h < 1/8$ . The use of Lemma 4.6 (and thus of Lemma 4.4) is legitimate due to the hypothesis imposed on  $h$  and  $\delta$ . The result of the theorem follows from the bound of  $C_D$  derived in Remark 4.5.  $\square$

Obviously, Theorem 1.2 from the Introduction is an immediate consequence of Theorem 4.7: given  $0 < h < h^*$ , just define  $C := C_{\text{appr}}(h^*(\delta))^{-\alpha}$  and  $b := \log(1 + h^*(\delta))$ .

The polynomials  $q_p$  defined in the proof of Theorem 4.7 as the complex interpolants of  $f$  in special points, *simultaneously* approximate the first  $p$  derivatives of  $f$  (denoted  $f^{(j)}$ ,  $j = 1, \dots, p$ ), as established by the following corollary.

**COROLLARY 4.9.** *Under the assumptions of Theorem 4.7, for any<sup>5</sup>  $j \in \mathbb{N}$ ,  $j \leq p$ , we have*

$$\left\| f^{(j)} - q_p^{(j)} \right\|_{L^\infty(D)} \leq C_{\text{appr}} \frac{j!}{(C_I h^2)^j} h^{-\alpha} (1+h)^{-p} \|f\|_{L^\infty(\text{Int } L_{3h})}.$$

*Proof.* We use Cauchy's inequalities [24, Vol. I, Theorem 14.7] for the interpolation error  $f^{(j)} - q_p^{(j)}$  to obtain a sharp bound on the complex derivatives of holomorphic functions:

$$\left\| f^{(j)} - q_p^{(j)} \right\|_{L^\infty(D)} \leq \frac{j!}{d(L_h, \partial D)^j} \|f - q_p\|_{L^\infty(\text{Int } L_h)};$$

the assertion of the corollary follows from the bound (3.1) and from Theorem 4.7.  $\square$

As a consequence of the previous results, we can gauge the approximation of real-valued harmonic functions by harmonic polynomials. To this purpose, setting  $z = x + iy$  we identify  $S \subseteq \mathbb{C}$  and  $\{(x, y) \in \mathbb{R}^2 \mid z = x + iy \in S\}$  and now regard  $f : D_\delta \rightarrow \mathbb{C}$  as a *real analytic* function of two real variables  $f = f(x, y)$ . We also adopt this perspective for the polynomials  $q_p$ , which have been defined in the proof of Theorem 4.7 as the complex interpolants of  $f$  in special points.

The statement of the following results makes use of the (standard)  $W^{j, \infty}(S)$ -seminorms,  $j \in \mathbb{N}$ , and of the weighted Sobolev  $W^{1, \infty}(S)$ -norm, for sufficiently smooth functions, and  $S \subseteq D_\delta$ :

$$|u|_{W^{j, \infty}(S)} := \sup_{\beta \in \mathbb{N}_0^2, |\beta|=j} \|D^\beta u\|_{L^\infty(S)},$$

<sup>5</sup>We use the following standard notation:  $\mathbb{N} = \{1, 2, \dots\}$ ,  $\mathbb{N}_0 = \{0, 1, 2, \dots\}$ .

$$\|u\|_{W^{1,\infty}(S)} := \|u\|_{L^\infty(S)} + \text{diam}(D_\delta) \|\nabla u\|_{L^\infty(S)}.$$

**THEOREM 4.10.** *Fix  $0 < \delta \leq 1/2$ , and let  $h$  satisfy (4.4). For any real, harmonic function  $u$  in the inflated domain  $D_\delta$  defined in (4.3), there is a sequence of harmonic polynomials  $\{Q_p\}_{p \geq 1}$  of degree at most  $p$  such that*

$$\begin{aligned} \|u - Q_p\|_{L^\infty(D)} &\leq C_{\text{appr}} h^{-\alpha} (1+h)^{-p} \|u\|_{W^{1,\infty}(\text{Int } L_{3h})}, \\ |u - Q_p|_{W^{j,\infty}(D)} &\leq C_{\text{appr}} \left( \frac{2j}{C_I h^2} \right)^j h^{-\alpha} (1+h)^{-p} \|u\|_{W^{1,\infty}(\text{Int } L_{3h})}, \\ \|u - Q_p\|_{L^2(D)} &\leq \sqrt{|D|} C_{\text{appr}} h^{-\alpha} (1+h)^{-p} \|u\|_{W^{1,\infty}(\text{Int } L_{3h})}, \\ |u - Q_p|_{H^j(D)} &\leq \sqrt{|D|(j+1)} C_{\text{appr}} \left( \frac{2j}{C_I h^2} \right)^j h^{-\alpha} (1+h)^{-p} \|u\|_{W^{1,\infty}(\text{Int } L_{3h})} \end{aligned}$$

for all  $j \in \mathbb{N}$ ,  $j \leq p$ , where  $|D| < 1$  is the Lebesgue measure of  $D$ , and the constants  $C_{\text{appr}}$  and  $\alpha$  are the same as in Theorem 4.7.

*Proof.* For any real, harmonic function  $u$  on a simply-connected domain  $\mathcal{D} \ni (x_0, y_0)$ , there exists a unique holomorphic function  $f$  on  $\mathcal{D}$ , with  $f(x_0 + iy_0) \in \mathbb{R}$ , such that  $u(x, y) = \text{Re } f(x + iy)$  [24, Vol. II, Theorem 5.2]. More precisely,  $f(z) = u(x, y) + iv(x, y)$ , with  $z = x + iy$  and  $v$  a real, harmonic function satisfying the Cauchy–Riemann equations

$$\frac{\partial u}{\partial x} = \frac{\partial v}{\partial y}, \quad \frac{\partial u}{\partial y} = -\frac{\partial v}{\partial x},$$

and  $v(x_0, y_0) = 0$ . If  $\mathcal{D}$  is star-shaped with respect to  $(x_0, y_0)$ , and  $\|u\|_{L^\infty(\mathcal{D})}$ ,  $\|\nabla u\|_{L^\infty(\mathcal{D})}$  are bounded, it holds

$$\|f\|_{L^\infty(\mathcal{D})} \leq \|u\|_{L^\infty(\mathcal{D})} + \text{diam}(\mathcal{D}) \|\nabla u\|_{L^\infty(\mathcal{D})}.$$

Moreover, if  $f$  is a holomorphic function, then  $u(\text{Re } z, \text{Im } z) = \text{Re } f(z)$  is harmonic; thus, the real part of any complex polynomial is a harmonic polynomial. Obviously,  $\|u\|_{L^\infty(\mathcal{D})} \leq \|f\|_{L^\infty(\mathcal{D})}$  holds true.

With these considerations, defining  $Q_p := \text{Re } q_p$ , with  $q_p$  as in Theorem 4.7, the desired bound in  $L^\infty$ -norm is direct consequence of Theorem 4.7. Notice that  $\|u\|_{L^\infty(\text{Int } L_{3h})}$  and  $\|\nabla u\|_{L^\infty(\text{Int } L_{3h})}$  are bounded (and thus  $\|u\|_{W^{1,\infty}(\text{Int } L_{3h})} < +\infty$ ) because, by (4.4), the (closed) set  $\text{Int } L_{3h}$  is contained in  $D_\delta$ , the (open) domain of analyticity of  $u$ .

For the bounds in  $W^{j,\infty}$ -norms, the inclusion  $D \subset L_h$ , the interior estimates for the derivatives of harmonic functions in [15, Theorem 2.10], and the bound (3.1) give

$$\begin{aligned} |u - Q_p|_{W^{j,\infty}(D)} &= \sup_{\beta \in \mathbb{N}_0^2, |\beta|=j} \|D^\beta(u - Q_p)\|_{L^\infty(D)} \\ &\leq \left( \frac{2j}{d(L_h, \Omega)} \right)^j \|u - Q_p\|_{L^\infty(\text{Int } L_h)} \leq \left( \frac{2j}{C_I h^2} \right)^j \|u - Q_p\|_{L^\infty(\text{Int } L_h)}; \end{aligned}$$

again, Theorem 4.7 allows to conclude.

Finally, the bounds in integral norms follow from

$$|u - Q_p|_{H^j(D)}^2 := \sum_{\substack{\beta \in \mathbb{N}_0^2 \\ |\beta|=j}} \int_D |D^\beta(u(x) - Q_p(x))|^2 dx \leq |D|(j+1) |u - Q_p|_{W^{j,\infty}(D)}^2$$

and the previous inequalities.  $\square$

From Theorem 1.2, with the same considerations as in the proof of Theorem 4.10, we obtain the following result.

**COROLLARY 4.11.** *Fix  $0 < \delta \leq 1/2$  and  $j \in \mathbb{N}_0$ . There exist  $C > 0$  and  $b > 0$ , depending only on  $\rho, \rho_0, \delta$  and  $j$ , such that, for any real-valued, harmonic function  $u$  which is bounded along with its first-order derivatives in the inflated domain  $D_\delta$  defined in (4.3), there is a sequence of harmonic polynomials  $\{Q_p\}_p$  of degree at most  $p$  such that*

$$\begin{aligned} |u - Q_p|_{W^{j,\infty}(D)} &\leq C e^{-bp} \|u\|_{W^{1,\infty}(D_\delta)}, \\ |u - Q_p|_{H^j(D)} &\leq C e^{-bp} \|u\|_{W^{1,\infty}(D_\delta)}. \end{aligned}$$

**REMARK 4.12.** *The constants  $C$  and  $b$  in Theorem 1.2 and Corollary 4.11 depend on  $\delta$  only through  $h^*(\delta)$  defined in (4.4).*

*The boundedness of  $f$ ,  $u$  and  $\nabla u$  in Theorem 1.2 and Corollary 4.11 is assumed only in order to write estimates with  $L^\infty$ -norms in the whole  $D_\delta$  on the right-hand side. Actually, the estimates hold true also with  $\|f\|_{L^\infty(\text{Int } L_{3h})}$  and  $\|u\|_{W^{1,\infty}(\text{Int } L_{3h})}$  respectively, on the right-hand side, for any  $0 < h < h^*$ , with no need of assuming boundedness of  $f$ ,  $u$  and  $\nabla u$  in  $D_\delta$ .*

**REMARK 4.13.** *The interpolating polynomials  $q_p$  (and  $Q_p$ ) in Theorem 1.2, Theorem 4.7 and Corollary 4.9 (Theorem 4.10 and Corollary 4.11, respectively) interpolate exactly the function  $f$  ( $u$ , respectively) in at least  $p + 1$  points lying on the boundary of  $D$ . The exact location of the points depend on the conformal map  $\varphi_D$ . This fact follows from the definition of  $q_p$  given in the proof of Theorem 4.7 and the relations  $u = \text{Re } f$  and  $Q_p = \text{Re } q_p$ .*

**5. Application: exponential convergence of Trefftz  $hp$ -dGFEM.** In this section, we outline how to apply the estimates of Corollary 4.11 and prove exponential convergence of a Trefftz  $hp$ -dGFEM for the mixed Laplace boundary value problem (BVP), i.e. a FEM with discontinuous, piecewise harmonic, polynomial basis functions on a geometrically graded mesh. We establish exponential convergence with rate  $O(\exp(-b\sqrt{N}))$ , for some  $b > 0$ , in terms of the overall number  $N$  of degrees of freedom. This result is an improvement over the classical rate  $O(\exp(-b\sqrt[3]{N}))$  shown for inhomogeneous problems in [2, 4]; this improvement is due to the use of harmonic polynomials, instead of complete polynomials, in the trial spaces.

Since we rely on the  $hp$ -dGFEM theory from [37], we restrict ourselves to the case of (straight) polygonal domains and meshes comprising (straight) triangles or parallelograms. The extension to curvilinear domains and mesh elements would require to develop, for such elements, several tools as polynomial  $hp$ -inverse estimates, scaling estimates of Sobolev seminorms, and approximation estimates for linear and bilinear polynomials near corners. This goes beyond the scope of this paper.

**5.1. The Laplace BVP.** Without further explanation, we use the notation for the weighted Sobolev spaces  $(H_\beta^{m,l}(\Omega))$  and the countably normed spaces  $(\mathcal{B}_\beta^\ell(\Omega))$  and  $(\mathcal{C}_\beta^\ell(\Omega))$  from [2, §2], along with the analyticity and analytic continuation results given in [2–5].

Let  $\Omega \subset \mathbb{R}^2$  be a bounded, Lipschitz polygon with corners  $\mathbf{c}_\nu$ ,  $1 \leq \nu \leq n_a$ , whose boundary is partitioned into a Dirichlet and a Neumann boundary  $\Gamma^{[0]}$  and  $\Gamma^{[1]}$ , respectively, such that the interiors of  $\Gamma^{[0]}$  and  $\Gamma^{[1]}$  do not overlap and  $\bar{\Gamma}^{[0]} \cup \bar{\Gamma}^{[1]} = \partial\Omega$ . Moreover, we assume that  $\Gamma^{[0]}$  has positive 1-dimensional measure. Consider the following (well-posed) boundary value problem: given  $g^{[i]}$ ,  $i = 0, 1$ , find  $u \in H^1(\Omega)$  such that

$$\Delta u = 0 \quad \text{in } \Omega, \tag{5.1a}$$

$$\gamma_0 u|_{\Gamma^{[0]}} = g^{[0]} \quad \text{on } \Gamma^{[0]}, \quad \gamma_1 u|_{\Gamma^{[1]}} = g^{[1]} \quad \text{on } \Gamma^{[1]}. \quad (5.1b)$$

Here,  $\gamma_0$  and  $\gamma_1$  denote trace and normal derivative operators, respectively.

There exists a weight vector  $\underline{\beta} \in (0, 1)^{n_a}$  such that, if  $g^{[i]} \in \mathcal{B}_{\underline{\beta}}^{\frac{3}{2}-i}(\Gamma^{[i]})$ ,  $i = 0, 1$ , problem (5.1) admits a unique solution  $u$  which belongs to  $C_{\underline{\beta}}^2(\Omega)$ , [2, Theorem 3.5]. Moreover, as in [2, page 841], it can be proved that there exist two constants  $C_u > 0$  and  $d_u \geq 1$  such that

$$|(D^\alpha u)(\mathbf{x}_0)| \leq C_u \left( \frac{d_u}{\Phi(\mathbf{x}_0)} \right)^k k! \quad \forall \mathbf{x}_0 \in \Omega, \quad \alpha \in \mathbb{N}_0^2, \quad |\alpha| = k \geq 1, \quad (5.2)$$

where  $\Phi(\mathbf{x}_0) := \prod_{\nu=1}^{n_a} \min\{1, |\mathbf{x}_0 - \mathbf{c}_\nu|\}$ , thus  $u$  admits a real analytic continuation to the set

$$\mathcal{N}(u) := \bigcup_{\mathbf{x}_0 \in \bar{\Omega} \setminus \bigcup_{\nu=1}^{n_a} \mathbf{c}_\nu} \left\{ \mathbf{x} \in \mathbb{R}^2 : |\mathbf{x} - \mathbf{x}_0| < \frac{\Phi(\mathbf{x}_0)}{2d_u} \right\} \subset \mathbb{R}^2. \quad (5.3)$$

**5.2. Trefftz  $hp$ -dGFEM.** We now formulate the  $hp$ -dGFEM discretisation of the BVP (5.1) on *geometric mesh families*  $\mathfrak{M}_\sigma = \{\mathcal{T}_\sigma^\ell\}_{\ell=1}^\infty$  in  $\Omega$ , with increasing number  $\ell$  of layers and geometric grading factor  $0 < \sigma < 1$ .

**5.2.1. Geometric meshes.** Given  $\ell \in \mathbb{N}$ , the mesh  $\mathcal{T}_\sigma^\ell$  is a partition of the domain  $\Omega$  into open triangles or parallelograms  $\Omega_{ij}^\ell$  (such that  $\bar{\Omega} = \bigcup_{i,j} \bar{\Omega}_{ij}^\ell$  and  $\Omega_{ij}^\ell \cap \Omega_{i'j'}^\ell = \emptyset$  if  $(i, j) \neq (i', j')$ ). The elements are grouped in *layers*, denoted by  $\mathcal{L}_{\sigma,i}^\ell$ ,  $1 \leq i \leq \ell$ , such that

$$\mathcal{T}_\sigma^\ell = \bigcup_{i=1}^{\ell} \mathcal{L}_{\sigma,i}^\ell = \left\{ \Omega_{ij}^\ell : 1 \leq i \leq \ell, 1 \leq j \leq \widehat{J}(i) \right\},$$

where  $\widehat{J}(i) \geq 1$  is the number of the elements in  $i$ -th layer  $\mathcal{L}_{\sigma,i}^\ell$ . Given an element  $\Omega_{ij}^\ell \in \mathcal{T}_\sigma^\ell$ , the index  $i$  denotes the layer  $\Omega_{ij}^\ell$  belongs to, and  $j$  identifies it among the  $\widehat{J}(i)$  elements belonging to the  $i$ -th layer. We say that  $\mathcal{T}_\sigma^\ell$  is a geometric mesh if it belongs to a family  $\mathfrak{M}_\sigma = \{\mathcal{T}_\sigma^\ell\}_{\ell=1}^\infty$  that satisfies the assumptions (GM1)–(GM4) listed below.

For every element  $\Omega_{ij}^\ell$ , we define the following parameters:  $h_{ij}^\ell := \text{diam}(\Omega_{ij}^\ell)$ ;  $\rho_{ij}^\ell$  and  $\mathbf{x}_{ij}^\ell$  the radius and the centre, respectively, of the largest ball inscribed in  $\Omega_{ij}^\ell$ ; and  $r_{ij}^\ell := \min_{1 \leq \nu \leq n_a} d(\mathbf{c}_\nu, \Omega_{ij}^\ell)$  its distance from the nearest corner of  $\Omega$ .

**ASSUMPTION 5.1.** *The family  $\mathfrak{M}_\sigma = \{\mathcal{T}_\sigma^\ell\}_{\ell=1}^\infty$  satisfies the following conditions.*

(GM1) *The elements are uniformly shape-regular triangles/parallelograms:  $\exists 0 < \kappa_1 \leq 1/2$ , independent of  $\sigma$ ,  $\ell$ ,  $i$  and  $j$ , such that, for all  $\mathcal{T}_\sigma^\ell \in \mathfrak{M}_\sigma$  and  $\Omega_{ij}^\ell \in \mathcal{T}_\sigma^\ell$ ,*

$$\rho_{ij}^\ell \geq \kappa_1 h_{ij}^\ell > 0.$$

(GM2) *The distance  $r_{ij}^\ell$  between an element  $\Omega_{ij}^\ell$  and the nearest corner of  $\Omega$  depends geometrically on its layer index  $i$ :  $\exists 0 < \kappa_{2-} \leq \kappa_{2+} < \infty$ , independent of  $\sigma$ ,  $\ell$ ,  $i$  and  $j$ , such that for all  $\mathcal{T}_\sigma^\ell \in \mathfrak{M}_\sigma$  and  $\Omega_{ij}^\ell \in \mathcal{T}_\sigma^\ell$ , with  $1 \leq i < \ell$ ,*

$$\kappa_{2-} \sigma^i \leq r_{ij}^\ell \leq \kappa_{2+} \sigma^i.$$

*The  $\ell$ -th layer is the set of the elements abutting at domain corners (i.e.,  $r_{ij}^\ell = 0 \Leftrightarrow i = \ell$ ).*

(GM3) The size of an element  $\Omega_{ij}^\ell$  depends geometrically on its layer index  $i$ :  $\exists 0 < \kappa_{3-} \leq \kappa_{3+} < \infty$ , independent of  $\sigma$ ,  $\ell$ ,  $i$  and  $j$ , such that for all  $\mathcal{T}_\sigma^\ell \in \mathfrak{M}_\sigma$  and  $\Omega_{ij}^\ell \in \mathcal{T}_\sigma^\ell$ ,

$$\kappa_{3-} \sigma^i \leq h_{ij}^\ell \leq \kappa_{3+} \sigma^i.$$

(GM4) For  $\ell \geq 2$ ,  $\mathcal{T}_\sigma^\ell$  is obtained from  $\mathcal{T}_\sigma^{\ell-1}$  by only refining the elements in the layer  $\mathcal{L}_{\sigma, \ell-1}^{\ell-1}$  adjacent to the domain corners, forming two new layers  $\mathcal{L}_{\sigma, \ell-1}^\ell$  and  $\mathcal{L}_{\sigma, \ell}^\ell$ . Equivalently, the elements of  $\mathcal{L}_{\sigma, i}^\ell$  are uniquely defined for all  $\ell \geq i + 1$ :

$$\mathcal{L}_{\sigma, i}^\ell = \mathcal{L}_{\sigma, i}^{\ell'} \quad \forall i \in \{1, 2, \dots, \min(\ell, \ell') - 1\}; \quad \mathcal{L}_{\sigma, \ell}^\ell = \bigcup_{i=\ell}^{\ell'} \mathcal{L}_{\sigma, i}^{\ell'} \quad \forall \ell' > \ell \geq 1. \quad (5.4)$$

Note that (GM2) and (GM3) imply that the diameter of an element  $\Omega_{ij}^\ell$  is proportional to its distance from the domain corners:

$$\frac{\kappa_{3-}}{\kappa_{2+}} r_{ij}^\ell \leq h_{ij}^\ell \leq \frac{\kappa_{3+}}{\kappa_{2-}} r_{ij}^\ell \quad 1 \leq i < \ell, \quad 1 \leq j \leq \widehat{J}(\ell). \quad (5.5)$$

Using (GM1) and (GM3), we can control the area  $|\Omega_{ij}^\ell|$  of each element: for all  $\Omega_{ij}^\ell \in \mathcal{T}_\sigma^\ell$ ,  $\ell \in \mathbb{N}$ ,

$$(h_{ij}^\ell)^2 \geq |\Omega_{ij}^\ell| \geq \left| B_{\rho_{ij}^\ell}(\mathbf{x}_{ij}^\ell) \right| = \pi(\rho_{ij}^\ell)^2 \geq \pi(\kappa_1 h_{ij}^\ell)^2 \geq \pi(\kappa_1 \kappa_{3-})^2 \sigma^{2i}.$$

Moreover, (GM2) and (GM3) imply

$$\bigcup_{j=1}^{\widehat{J}(i)} \Omega_{ij}^\ell \subseteq \bigcup_{\nu=1}^{n_a} \left( B_{\max_{1 \leq j \leq \widehat{J}(i)} (r_{ij}^\ell + h_{ij}^\ell)}(\mathbf{c}_\nu) \right) \subseteq \bigcup_{\nu=1}^{n_a} \left( B_{(\kappa_{2+} + \kappa_{3+})\sigma^i}(\mathbf{c}_\nu) \right) \quad 1 \leq i \leq \ell,$$

from which  $\left| \bigcup_{j=1}^{\widehat{J}(i)} \Omega_{ij}^\ell \right| \leq n_a \pi (\kappa_{2+} + \kappa_{3+})^2 \sigma^{2i}$ . Therefore, the number of elements per layer is uniformly bounded in  $i$ :

$$\widehat{J}(i) \leq \frac{\left| \bigcup_{j=1}^{\widehat{J}(i)} \Omega_{ij}^\ell \right|}{\min_{1 \leq j \leq \widehat{J}(i)} |\Omega_{ij}^\ell|} \leq n_a \left( \frac{\kappa_{2+} + \kappa_{3+}}{\kappa_1 \kappa_{3-}} \right)^2 =: J^*(\mathfrak{M}_\sigma) \quad 1 \leq i \leq \ell, \quad \ell \in \mathbb{N}. \quad (5.6)$$

**5.2.2.  $h_p$ -subspaces on  $\mathfrak{M}_\sigma$ .** For a positive integer  $p$ , let  $\mathbb{P}_p(D)$  be the space of bivariate real polynomials of degree at most  $p$  on a domain  $D \subset \mathbb{R}^2$ . Define the spaces  $\mathcal{S}^p(\mathcal{T}_\sigma^\ell)$  of discontinuous, piecewise polynomial functions of total degree at most  $p$  on  $\mathcal{T}_\sigma^\ell$ :

$$\mathcal{S}^p(\mathcal{T}_\sigma^\ell) := \{v \in L^2(\Omega) : v|_{\Omega_{ij}^\ell} \in \mathbb{P}_p(\Omega_{ij}^\ell) \text{ for every } \Omega_{ij}^\ell \in \mathcal{T}_\sigma^\ell\}, \quad (5.7)$$

and its subspace of discontinuous, piecewise harmonic polynomials (i.e., the Trefftz subspace):

$$\mathcal{S}^{p, \Delta}(\mathcal{T}_\sigma^\ell) := \{v \in \mathcal{S}^p(\mathcal{T}_\sigma^\ell) : \Delta(v|_{\Omega_{ij}^\ell}) = 0 \text{ for every } \Omega_{ij}^\ell \in \mathcal{T}_\sigma^\ell\}. \quad (5.8)$$

For the sake of simplicity, we confine ourselves to the case where the same polynomial degree is used in every element of the mesh; the results below can be extended to more sophisticated degree distributions. For example, in the elements adjacent to the domain corners, the use of linear polynomials on triangles and bilinear polynomials on parallelograms preserves the



exponential convergence. Thus, if quadrilateral elements are used near the domain corners, we will choose  $p \geq 2$  in order to include bilinear functions in the trial space. Polynomial degrees linearly decreasing with the layer index will also give the same convergence.

LEMMA 5.2. *If the family  $\mathfrak{M}_\sigma$  satisfies Assumption 5.1, for all  $p, \ell \geq 1$ , we have*

$$\begin{aligned} \dim(\mathcal{S}^p(\mathcal{T}_\sigma^\ell)) &\leq J^*(\mathfrak{M}_\sigma) \frac{(p+1)(p+2)\ell}{2} = O(p^2\ell), \\ \dim(\mathcal{S}^{p,\Delta}(\mathcal{T}_\sigma^\ell)) &\leq J^*(\mathfrak{M}_\sigma) (2p+1)\ell = O(p\ell), \end{aligned}$$

where  $J^*(\mathfrak{M}_\sigma)$  is defined in (5.6) and is independent of  $\ell$  and  $p$ .

*Proof.* The mesh  $\mathcal{T}_\sigma^\ell$  has at most  $J^*(\mathfrak{M}_\sigma)$  elements in each layer  $\mathcal{L}_{\sigma,i}^\ell$ ,  $1 \leq i \leq \ell$ , therefore at most  $\ell J^*(\mathfrak{M}_\sigma)$  elements in total. Thus,  $\dim(\mathbb{P}_p(\Omega_{ij}^\ell)) = (p+1)(p+2)/2$  and  $\dim(\mathbb{P}_p(\Omega_{ij}^\ell) \cap \{v : \Delta v = 0\}) = 2p+1$  imply the assertion.  $\square$

**5.2.3.  $hp$ -dGFEM.** We consider both the *symmetric interior penalty* (SIP) and the *non symmetric interior penalty* (NIP) methods introduced, respectively, in [10], [6], and in [7], [32] (see [1] for a survey of interior penalty and other dGFEM for elliptic problems).

For a given mesh  $\mathcal{T}_\sigma^\ell \in \mathfrak{M}_\sigma$  on  $\Omega$ , let  $V_p(\mathcal{T}_\sigma^\ell)$  be either of the subspaces defined in (5.7) and (5.8). For simplicity, we denote here by  $K$  a generic element of  $\mathcal{T}_\sigma^\ell$ , instead of using the more detailed notation  $\Omega_{ij}^\ell$ . Let  $\mathcal{E}_{\text{int}}$  be the set of interior edges of  $\mathcal{T}_\sigma^\ell$ , i.e., the intersections between two elements of  $\mathcal{T}_\sigma^\ell$  that have positive 1-dimensional measure; moreover, let  $\mathcal{E}_D$  be the set of the edges of  $\mathcal{T}_\sigma^\ell$  lying on  $\Gamma^{[0]}$ , and set  $\mathcal{E}_{\text{int},D} := \mathcal{E}_{\text{int}} \cup \mathcal{E}_D$ . For a piecewise smooth function  $v$ , we define jumps and averages across the edges  $e \in \mathcal{E}_{\text{int},D}$ :

$$\begin{aligned} \llbracket v \rrbracket|_e &:= \frac{v|_K + v|_{K'}}{2}, & \llbracket v \rrbracket|_e &:= v|_K \mathbf{n}_K + v|_{K'} \mathbf{n}_{K'} & e \in \overline{K} \cap \overline{K}', & K, K' \in \mathcal{T}_\sigma^\ell, \\ \llbracket v \rrbracket|_e &:= \llbracket v \rrbracket|_e := v|_e & e &\subseteq \Gamma^{[0]}, \end{aligned}$$

where  $\mathbf{n}_K$  is the outgoing unit normal on  $\partial K$ . We set  $h_K := \text{diam}(K)$  and define the meshwidth function  $h : \mathcal{E}_{\text{int},D} \rightarrow \mathbb{R}$  as  $h(\mathbf{x}) := \min\{h_K : \mathbf{x} \in K \in \mathcal{T}_\sigma^\ell\}$ .

For  $\theta \in \{1, -1\}$  and  $v, w \in V_p(\mathcal{T}_\sigma^\ell)$ , define the two bilinear forms and linear functionals

$$\begin{aligned} B_{\mathcal{T}}^\theta(v, w) &:= \sum_{K \in \mathcal{T}_\sigma^\ell} \int_K \nabla v \cdot \nabla w \, dx \\ &\quad + \sum_{e \in \mathcal{E}_{\text{int},D}} \int_e \left( - \llbracket \nabla v \rrbracket \cdot \llbracket w \rrbracket + \theta \llbracket v \rrbracket \cdot \llbracket \nabla w \rrbracket + \mathbf{a} \llbracket v \rrbracket \cdot \llbracket w \rrbracket \right) ds, \\ L_{\mathcal{T}}^\theta(w) &:= \int_{\Gamma^{[1]}} g^{[1]} w \, ds + \theta \int_{\Gamma^{[0]}} g^{[0]} \gamma^{[1]} w \, ds + \int_{\Gamma^{[0]}} \mathbf{a} g^{[0]} w \, ds. \end{aligned}$$

Here,  $\mathbf{a}$  is the discontinuity stabilisation function given by  $\mathbf{a}(\mathbf{x}) := \alpha p^2 / h(\mathbf{x})$ , where  $\alpha > 0$  is a parameter independent of  $h$  and  $p$ .

Fixing  $\theta \in \{1, -1\}$ , the  $hp$ -dGFEM reads: find  $u_p^\theta \in V_p(\mathcal{T}_\sigma^\ell)$  such that

$$B_{\mathcal{T}}^\theta(u_p^\theta, v_p) = L_{\mathcal{T}}^\theta(v_p) \quad \forall v_p \in V_p(\mathcal{T}_\sigma^\ell). \quad (5.9)$$

The method defined in (5.9) is SIP, for  $\theta = -1$ , and NIP, for  $\theta = 1$ .

We recall the following result from [37], where the mesh-dependent norm  $\|\cdot\|_{dG}^2$  is defined by

$$\|w\|_{dG}^2 := \sum_{K \in \mathcal{T}_\sigma^\ell} \|\nabla w\|_{L^2(K)}^2 + \sum_{e \in \mathcal{E}_{\text{int},D}} \|\sqrt{\mathbf{a}} \llbracket w \rrbracket\|_{L^2(e)}^2 \quad w \in V_p(\mathcal{T}_\sigma^\ell).$$

PROPOSITION 5.3. [37, Theorem 2.3.7, Corollary 2.4.2] Let  $\underline{\beta} \in (0, 1)^{n_a}$  be such that the analytical solution  $u$  to (5.1) belongs to  $\mathcal{C}_{\underline{\beta}}^2(\Omega)$ . If either  $\theta = 1$  and  $\alpha$  is positive, or  $\theta = -1$  and  $\alpha$  is sufficiently large, then the  $hp$ -dGFEM (5.9) admits a unique solution.

Moreover, let  $\pi_{\mathcal{T}} : H_{\underline{\beta}}^{2,2}(\Omega) \rightarrow V_p(\mathcal{T}_{\sigma}^{\ell})$  be an arbitrary operator such that, for every element  $K \in \mathcal{T}_{\sigma}^{\ell}$ , there exist at least two zeros of  $\eta := u - \pi_{\mathcal{T}}u$  in  $\bar{K}$ . For  $\theta = \pm 1$  (with sufficiently large  $\alpha$ , if  $\theta = -1$ ), it holds

$$\begin{aligned} & \|u - u_h^{\theta}\|_{dG}^2 \\ & \leq C p^2 \left\{ \sum_{K \in \mathcal{T}_{\sigma}^{\ell}} |\eta|_{H^1(K)}^2 + \sum_{K \in \mathcal{T}_{\sigma}^{\ell} \setminus \mathcal{K}_{\sigma}^{\ell}} h_K^2 |\eta|_{H^2(K)}^2 + \sum_{K \in \mathcal{K}_{\sigma}^{\ell}} h_K^{2(1-\beta_{[K]})} |\eta|_{H_{\underline{\beta}}^{2,2}(K)}^2 \right\} \end{aligned} \quad (5.10)$$

where  $C > 0$  is independent of  $\sigma$ ,  $\ell$  and  $p$ . Here,  $\mathcal{K}_{\sigma}^{\ell} := \mathcal{L}_{\sigma,\ell}^{\ell} \subseteq \mathcal{T}_{\sigma}^{\ell}$  designates the set of elements abutting at domain corners and, for any  $K \in \mathcal{K}_{\sigma}^{\ell}$ ,  $\beta_{[K]} := \sup\{\beta_{\nu} : \mathbf{c}_{\nu} \in \partial K\}$ .

**5.3. Exponential convergence of  $hp$ -dGFEM.** We apply the approximation estimates proved in Section 4.2 to establish exponential convergence of the  $hp$ -dGFEM scheme. We begin with the following lemma, which puts in relation the domain of analyticity of  $u$  and the geometric mesh  $\mathfrak{M}_{\sigma}$ .

LEMMA 5.4. Let  $\mathfrak{M}_{\sigma}$  be a family of geometric meshes  $\mathcal{T}_{\sigma}^{\ell}$  on  $\Omega$  satisfying Assumption 5.1, and let  $u$  be the solution of the BVP (5.1) on  $\Omega$ . Then, there exists  $\delta_* > 0$  depending on  $u$  (only through  $d_u$  in (5.2)),  $\sigma$  and  $\mathfrak{M}_{\sigma}$ , such that  $u$  is analytic in  $\Omega_{ij}^{\ell} + B_{\delta_* h_{ij}^{\ell}} = \{\mathbf{x} \in \mathbb{R}^2 : d(\mathbf{x}, \Omega_{ij}^{\ell}) < \delta_* h_{ij}^{\ell}\}$  for all  $\Omega_{ij}^{\ell} \in \mathcal{T}_{\sigma}^{\ell} \setminus \mathcal{K}_{\sigma}^{\ell}$ ,  $\mathcal{T}_{\sigma}^{\ell} \in \mathfrak{M}_{\sigma}$ .

*Proof.* We define the domain parameter

$$E_{\Omega} := \min \left\{ 1, \min_{1 \leq \nu \neq \nu' \leq n_a} \frac{|\mathbf{c}_{\nu} - \mathbf{c}_{\nu'}|}{2} \right\},$$

which depends only on the position of the corners of  $\Omega$ , and consider an arbitrary element  $\Omega_{ij}^{\ell} \in \mathcal{T}_{\sigma}^{\ell} \setminus \mathcal{K}_{\sigma}^{\ell}$ .

First, we consider the case  $\Omega_{ij}^{\ell} \subseteq B_{E_{\Omega}}(\mathbf{c}_{\nu'})$  for some  $\nu' \in \{1, \dots, n_a\}$ . Fix  $\mathbf{x} \in \Omega_{ij}^{\ell}$ ; by the triangular inequality  $|\mathbf{x} - \mathbf{c}_{\nu}| \geq |\mathbf{c}_{\nu} - \mathbf{c}_{\nu'}| - |\mathbf{x} - \mathbf{c}_{\nu'}| \geq E_{\Omega}$ , for all  $\nu \neq \nu'$ . The definition of  $\Phi$  and the bound (5.5) give

$$\Phi(\mathbf{x}) = \prod_{\nu=1}^{n_a} \max\{1, |\mathbf{x} - \mathbf{c}_{\nu}|\} \geq |\mathbf{x} - \mathbf{c}_{\nu'}| E_{\Omega}^{n_a-1} \geq r_{ij}^{\ell} E_{\Omega}^{n_a-1} \geq h_{ij}^{\ell} \frac{\kappa_{2-}}{\kappa_{3+}} E_{\Omega}^{n_a-1} \quad \forall \mathbf{x} \in \Omega_{ij}^{\ell}.$$

This, together with the definition of the domain of analyticity  $\mathcal{N}(u)$  in (5.3) and of the parameter  $d_u$  in (5.2), implies that

$$\frac{d(\Omega_{ij}^{\ell}, \partial \mathcal{N}(u))}{h_{ij}^{\ell}} \geq \frac{\inf_{\mathbf{x} \in \Omega_{ij}^{\ell}} \Phi(\mathbf{x})}{2d_u h_{ij}^{\ell}} \geq \frac{\kappa_{2-} E_{\Omega}^{n_a-1}}{2d_u \kappa_{3+}} =: \delta_1.$$

Now consider the case when  $\Omega_{ij}^{\ell} \not\subseteq B_{E_{\Omega}}(\mathbf{c}_{\nu})$  for any  $\nu \in \{1, \dots, n_a\}$ . Fix  $\mathbf{x} \in \Omega_{ij}^{\ell}$  such that  $|\mathbf{x} - \mathbf{c}_{\nu}| \geq E_{\Omega}$  for every  $\nu \in \{1, \dots, n_a\}$ . Thus, by (GM2) and (GM3),

$$E_{\Omega} \leq \inf_{1 \leq \nu \leq n_a} |\mathbf{x} - \mathbf{c}_{\nu}| \leq r_{ij}^{\ell} + h_{ij}^{\ell} \leq (\kappa_{2+} + \kappa_{3+}) \sigma^i \quad \Rightarrow \quad i \leq \left\lceil \frac{\log \frac{E_{\Omega}}{\kappa_{2+} + \kappa_{3+}}}{\log \sigma} \right\rceil =: i^*,$$

i.e.,  $\Omega_{ij}^\ell$  belongs to one of the first  $i^*$  layers. The elements in first  $i^*$  layers are uniquely defined in all the meshes with at least  $i^* + 1$  layers, see (5.4). Thus we can define

$$\delta_2 := \min_{\substack{i,j,\ell \in \mathbb{N} \\ i \leq i^*, i < \ell, 1 \leq j \leq \widehat{\mathcal{J}}(i)}} \frac{d(\Omega_{ij}^\ell, \partial \mathcal{N}(u))}{h_{ij}^\ell},$$

which is strictly positive since it is the minimum of a finite number of positive values, although  $\ell$  can take any value in  $\mathbb{N}$ .

Therefore, if  $\delta_* := \min\{\delta_1, \delta_2\}$ , for any element  $\Omega_{ij}^\ell \in \mathcal{T}_\sigma^\ell \setminus \mathcal{K}_\sigma^\ell$ , for any  $\mathcal{T}_\sigma^\ell \in \mathfrak{M}_\sigma$ , the solution  $u$  is analytic in  $\Omega_{ij}^\ell + B_{\delta_* h_{ij}^\ell}$ . Note that  $\delta_*$  depends on  $u$  through the parameter  $d_u$ , on  $\sigma$  through  $i^*$ , but is independent of  $i, j$  and  $\ell$ .  $\square$

**THEOREM 5.5.** *Consider the solution  $u \in \mathcal{C}_{\underline{\beta}}^2(\Omega)$  of the Laplace mixed BVP (5.1) and its approximation  $u_p^\theta \in V_p(\mathcal{T}_\sigma^\ell) := \mathcal{S}^{p,\Delta}(\mathcal{T}_\sigma^\ell)$  computed with the Trefftz hp-dGFEM (5.9) (with  $\alpha > 0$ , if  $\theta = 1$ , or  $\alpha$  sufficiently large, if  $\theta = -1$ ) on a family  $\mathfrak{M}_\sigma$  of geometric meshes  $\mathcal{T}_\sigma^\ell$  satisfying Assumption 5.1. Assume uniform polynomial degree  $p = \ell$  and define  $N := \dim(V_p(\mathcal{T}_\sigma^\ell))$ . Then,  $u_p^\theta$  converges exponentially to  $u$ : there exist  $b, C > 0$  (depending on  $u, \Omega, \sigma$  and  $\mathfrak{M}_\sigma$ , but independent of  $p = \ell$ ) such that*

$$\|u - u_p^\theta\|_{dG} \leq C \exp(-b\sqrt{N}).$$

*Proof.* Since  $N = O(p\ell)$  by Lemma 5.2 and  $p = \ell$ , we have to prove  $\|u - u_h\|_h \leq C e^{-b\ell}$ . Thanks to Proposition 5.3, we only need to define an operator  $\pi_{\mathcal{T}} : H_{\underline{\beta}}^{2,2}(\Omega) \rightarrow V_p(\mathcal{T}_\sigma^\ell)$  with suitable approximation and interpolation properties. We treat separately the elements  $\Omega_{ij}^\ell$  adjacent to a domain corner ( $\Omega_{ij}^\ell \in \mathcal{K}_\sigma^\ell$ ) and the remaining ones ( $\Omega_{ij}^\ell$  with  $1 \leq i \leq \ell - 1$ ).

In the elements  $\Omega_{ij}^\ell \in \mathcal{K}_\sigma^\ell$ , we define  $\pi_{\mathcal{T}}(u)$  as the (piecewise) linear or bilinear interpolant of  $u$  at the vertices of  $\Omega_{ij}^\ell$ , if  $\Omega_{ij}^\ell$  is a triangle or a parallelogram, respectively. Then,  $\pi_{\mathcal{T}}(u)$  is obviously harmonic. Using [33, Lemma 4.16, Lemma 4.25] (see also [37, Lemma 2.5.2]), and taking into account (GM3) with  $i = \ell$ , the contribution of the elements  $\Omega_{ij}^\ell \in \mathcal{K}_\sigma^\ell$  to the right-hand side of (5.10) has exponential order of convergence in  $p = \ell$  (for some  $b \geq (1 - \max_\nu \beta_\nu)(-\log \sigma)$ ).

Consider now the elements  $\Omega_{ij}^\ell \in \mathcal{T}_\sigma^\ell \setminus \mathcal{K}_\sigma^\ell$ . For any  $\Omega_{ij}^\ell \in \mathcal{T}_\sigma^\ell \setminus \mathcal{K}_\sigma^\ell$ , due to Lemma 5.4, the solution  $u$  is analytic in  $\Omega_{ij}^\ell + B_{\delta_* h_{ij}^\ell}$ , for some  $\delta_*$  independent of  $i, j$  and  $\ell$ . Define the corresponding scaled element  $D := \widehat{\Omega}_{ij}^\ell := \{\widehat{\mathbf{x}} := (\mathbf{x} - \mathbf{x}_{ij}^\ell)/h_{ij}^\ell \in \mathbb{R}^2 : \mathbf{x} \in \Omega_{ij}^\ell\}$  and the scaled solution  $\widehat{u}(\widehat{\mathbf{x}}) := u(h_{ij}^\ell \widehat{\mathbf{x}} + \mathbf{x}_{ij}^\ell)$ . The scaled element satisfies Assumption 1.1 with  $\rho = \rho_{ij}^\ell/h_{ij}^\ell \geq \kappa_1$  and for any  $0 < \rho_0 < \rho$ , due to (GM1) and the convexity of  $\Omega_{ij}^\ell$ . The domain of analyticity of  $\widehat{u}$  is dilated in the same way, therefore the hypothesis of Corollary 4.11 are verified with  $\delta = \delta_*$ . Thus, there exists a harmonic polynomial  $\widehat{Q}_p$  of degree at most  $p$  such that

$$\left| \widehat{u} - \widehat{Q}_p \right|_{H^m(\widehat{\Omega}_{ij}^\ell)} \leq C e^{-bp} \quad m = 0, 1, 2,$$

for some constants  $C$  and  $b > 0$  depending only on  $\kappa_1, \delta_*$  (which, again, depends on  $\mathfrak{M}_\sigma, \sigma$  and  $u$ , through  $d_u$ ) and  $\|\widehat{u}\|_{W^{1,\infty}(\widehat{\mathcal{N}}(u))}$  (which, again, depends only on  $u$  and  $\Omega$ ). We scale  $\widehat{Q}_p$  back to  $\Omega_{ij}^\ell$  and define the local interpolant as

$$(\pi_{\mathcal{T}} u(\mathbf{x}))|_{\Omega_{ij}^\ell} := \widehat{Q}_p((\mathbf{x} - \mathbf{x}_{ij}^\ell)/h_{ij}^\ell).$$

Remark 4.13 guarantees that the interpolation is exact in at least  $p + 1$  points on the boundary of  $\Omega_{ij}^\ell$ . From the usual scaling of Sobolev seminorms  $|\cdot|_{H^k(\Omega_{ij}^\ell)} \leq C(h_{ij}^\ell)^{1-k} |\cdot|_{H^k(\widehat{\Omega}_{ij}^\ell)}$ , we obtain

$$\sum_{1 \leq i \leq \ell-1, 1 \leq j \leq \widehat{\mathcal{J}}(i)} \left( |\eta|_{H^1(\Omega_{ij}^\ell)}^2 + (h_{ij}^\ell)^2 |\eta|_{H^2(\Omega_{ij}^\ell)}^2 \right) \leq C \ell e^{-b\ell},$$

with  $C$  and  $b$  depending only on  $u, \sigma, \Omega$  and  $\mathfrak{M}_\sigma$ . Here we used the fact that the number of elements in  $\mathcal{T}_\sigma^\ell$  is  $O(\ell)$ , as proved in Lemma 5.2.

The assertion is then obtained by combining the last bound with the one previously obtained for the elements incident to the corners, using  $\ell = O(\sqrt{N})$ , and noting that  $\pi_\mathcal{T}(u)$  interpolates  $u$  at least in two points per element, thus Proposition 5.3 applies, and the  $hp$ -dGFEM error is bounded by the approximation error.  $\square$

REMARK 5.6. *In standard FEM convergence analysis, approximation estimates are derived only for few reference elements, which are then mapped to the “physical” mesh elements. For Trefftz schemes this is usually not possible: spaces made of harmonic functions (or harmonic polynomials) are not invariant under general affine mappings but only under similarity transformations, thus estimates that are uniform for every element shape must be proven, up to scaling and isometry only. This is one of the reasons for deriving the approximation estimates of Section 4.2; however, they hold in much more generality than what we used in the  $hp$ -dGFEM analysis (i.e., for star-shaped elements instead of triangles and parallelograms). The explicit dependence on the geometry, only through  $\rho$  and  $\rho_0$ , shows that these bounds are uniform for all the elements of a shape-regular family of meshes. The obstruction to extending the results of Theorem 5.5 to more general (e.g., curvilinear) geometries is not due to the new approximation estimates, but only to the limitations of the existing theory on quasi-optimality of dGFEM solutions.*

**Acknowledgment.** The authors wish to thank D.P. Hewett for inspiring discussions concerning the proof in Appendix B.2.

**Appendix A. Uniform cone conditions.** We prove the following uniform cone conditions which guarantee that a domain  $D$  satisfying Assumption 1.1 is Lipschitz, thanks to [16, Theorem 1.2.2.2], and give a precise bound on the size of the corner of star-shaped polygons (see Remark A.2).

LEMMA A.1. *Let  $\mathcal{D} \subset \mathbb{C}$  be a simply connected domain such that*

- i) *there exists  $\rho_1 > 0$  such that  $B_{\rho_1} \not\subset \mathcal{D}$  and  $\mathcal{D}$  is star-shaped with respect to  $B_{\rho_1}$ ;*
- ii) *there exists  $0 < \rho_1 < \rho_2$  such that  $\mathcal{D} \subseteq B_{\rho_2}$ .*

*Then  $\mathcal{D}$  satisfies the following cone conditions: there exist  $\Lambda, \lambda \in (0, 1]$  satisfying*

$$\min\{\Lambda, \lambda\} \geq \frac{2}{\pi} \arcsin \frac{\rho_1}{\rho_2} =: \theta,$$

*such that, for any  $w \in \partial D$ ,*

- a)  *$\exists$  cone with vertex  $w$ , opening  $\Lambda\pi$  and height  $H_0 := \min\{\rho_2 - \rho_1, \rho_1\}$  contained in  $\overline{D}$ ,*
- b)  *$\exists$  infinite cone with vertex  $w$  and opening  $\lambda\pi$  contained in  $\mathbb{C} \setminus D$ .*

*Proof.* We prove separately the two statements.

a) For every  $w \in \partial D$ , we want to construct a cone  $\mathcal{C}_w(\theta\pi, H_0)$  with vertex in  $w$ , height  $H_0$ , and opening  $\theta\pi$ , which is contained in  $\overline{D}$ . We consider four different situations, depicted in Figure A.1.

**a1)** If  $2\rho_1 \leq \rho_2$  and  $2\rho_1 \leq |w| \leq \rho_2$ , the star-shapedness with respect to  $B_{\rho_1}$  implies that there is a cone of vertex  $w$  and sides tangent to  $B_{\rho_1}$  which is contained in  $\overline{D}$ ; this cone

has opening  $\theta_w \pi$ , with  $\theta_w := \frac{2}{\pi} \arcsin \frac{\rho_1}{|w|} \geq \theta$ , and height  $H \geq |w| - \rho_1 \geq 2\rho_1 - \rho_1 = \rho_1$ , thus it contains a cone  $\mathcal{C}_w(\theta\pi, H_0)$ .

**a2)** If  $|w| = \rho_1$  and  $\rho_2 < 2\rho_1$ , then  $\frac{\pi}{3} < \theta\pi \leq \pi$  and there is a cone with vertex  $w$  and opening  $\theta\pi$  inscribed in  $B_{\rho_1}$ , with height  $H$  equal to:

$$\begin{aligned} H &= \rho_1 - \rho_1 \cos(\pi - \theta\pi) = \rho_1(1 + \cos \theta\pi) = \rho_1 \left(1 + \cos 2 \arcsin \frac{\rho_1}{\rho_2}\right) \\ &= \rho_1 \left(1 + 1 - 2 \frac{\rho_1^2}{\rho_2^2}\right) = \frac{2\rho_1}{\rho_2^2} (\rho_2^2 - \rho_1^2) = \frac{2\rho_1}{\rho_2^2} (\rho_2 + \rho_1)(\rho_2 - \rho_1) \\ &\stackrel{\rho_1 < \rho_2 < 2\rho_1}{\geq} \left(1 + \frac{\rho_1}{\rho_2}\right) (\rho_2 - \rho_1) \geq \frac{3}{2} (\rho_2 - \rho_1) > H_0. \end{aligned}$$

**a3)** If  $|w| = \rho_1$  and  $2\rho_1 \leq \rho_2$ , then  $\theta\pi \leq \frac{\pi}{3}$ , so a cone  $\mathcal{C}_w(\theta\pi, H_0)$  is contained within the equilateral triangle  $T \subset B_{\rho_1}$  with vertex in  $w$  and height  $H = \frac{3}{2}\rho_1 > H_0$ .

**a4)** If  $\rho_1 < |w| \leq \min\{2\rho_1, \rho_2\}$ , then there is a cone  $\mathcal{C}_0$  of vertex  $w$ , sides tangent to  $B_{\rho_1}$  and height  $H > 0$ , which is contained in  $\overline{\mathcal{D}}$  and has opening  $\theta_w \pi$ , as in **a1)**. As in parts **a2)**–**a3)**, we can construct a cone  $\mathcal{C}_*$   $\subset B_{\rho_1}$  with vertex  $w_* := \frac{\rho_1}{|w|}w$ , opening  $\theta\pi$  and height  $H \geq \frac{3}{2} \min\{\rho_1, \rho_2 - \rho_1\}$ . Then, since  $\theta \leq \theta_w$ , the translation of vector  $w - w_*$  of the cone  $\mathcal{C}_*$  is a cone with vertex  $w$ , opening  $\theta\pi$  and height  $H \geq H_0$ , which is contained in  $\mathcal{C}_0 \cup B_{\rho_1} \subset \overline{\mathcal{D}}$ .

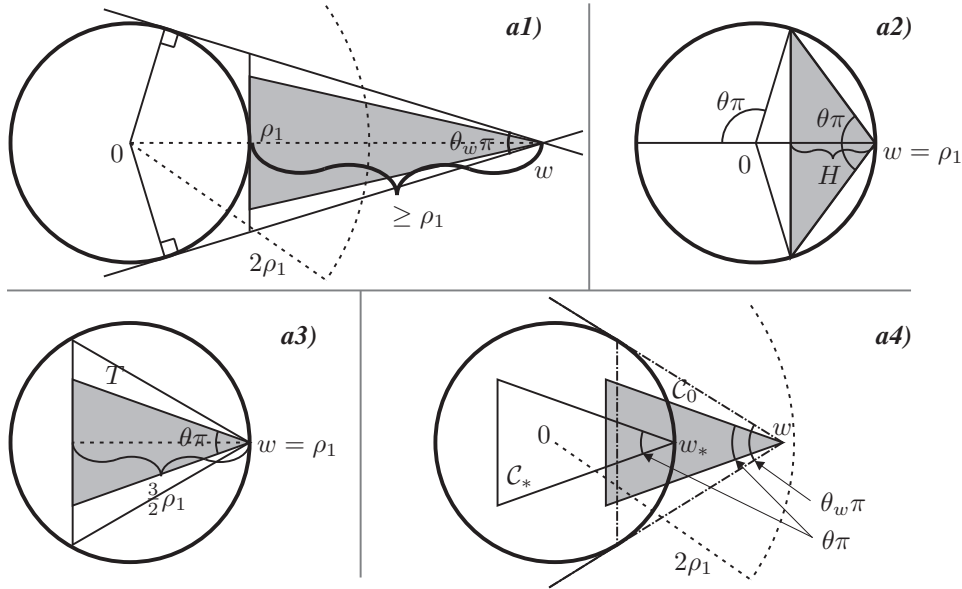


FIG. A.1. The four cases in the proof of part a) of Lemma A.1. The shaded triangles represent the cones  $\mathcal{C}_w(\theta\pi, H)$ , with  $H \geq H_0$ . In these examples we have chosen  $\arg w = 0$ .

**b)** The star-shapedness with respect to  $B_{\rho_1}$  implies that, for any  $w \in \partial\mathcal{D}$ , there is an infinite cone of vertex  $w$  and angle  $\theta_w \pi$ , with  $\theta_w := \frac{2}{\pi} \arcsin \frac{\rho_1}{|w|} \geq \theta$ , contained in  $\mathbb{C} \setminus D$ ;

since  $\theta_w \geq \theta$ , we have the second (exterior) cone condition.  $\square$

REMARK A.2. If  $\mathcal{D}$  is a polygon with interior angles  $\{\alpha_k \pi\}_{k=1}^N$  and satisfies the hypothesis of Lemma A.1, then

$$\frac{2}{\pi} \arcsin \frac{\rho_1}{\rho_2} \leq \alpha_k \leq 2 - \frac{2}{\pi} \arcsin \frac{\rho_1}{\rho_2} \quad k = 1, \dots, N.$$

**Appendix B. Proof of the upper bound (3.2) for non convex domains.** We consider first the case of polygonal domains (with straight sides) in Section B.1, then we extend the result to more general curvilinear domains in Section B.2. We recall that we are assuming  $0 < h \leq 1$ .

**B.1. Polygonal domains.** Denote by  $\{\alpha_k^C \pi\}_{k=1}^{n_C}$  and  $\{\alpha_k^{NC} \pi\}_{k=1}^{n_{NC}}$  the convex and non convex internal angles, respectively, of  $D$ , by  $\{w_k^C\}_{k=1}^{n_C}$  and  $\{w_k^{NC}\}_{k=1}^{n_{NC}}$  the corresponding vertices and set

$$\begin{aligned} z_k^C &= \varphi^{-1}(w_k^C) & k &= 1, \dots, n_C, \\ z_k^{NC} &= \varphi^{-1}(w_k^{NC}) & k &= 1, \dots, n_{NC}. \end{aligned}$$

The following relations hold (see Figure B.1 for the geometrical meaning of the parameters):

$$\begin{aligned} 0 &\leq \alpha_k^C \leq 1, & 0 &\leq \beta_k^C := 1 - \alpha_k^C \leq 1 & k &= 1, \dots, n_C, \\ 1 &< \alpha_k^{NC} \leq 2, & -1 &\leq \beta_k^{NC} := 1 - \alpha_k^{NC} < 0 & k &= 1, \dots, n_{NC}, \\ \sum_{k=1}^{n_C} \beta_k^C &+ \sum_{k=1}^{n_{NC}} \beta_k^{NC} &= &2. \end{aligned}$$

Recalling the definition of  $\xi$  when  $D$  is non convex:

$$\xi = \frac{2}{\pi} \arcsin \frac{\rho_0}{1 - \rho},$$

from Assumption 1.1 and Remark A.2 we have

$$\begin{aligned} \alpha_k^C &\geq \xi, & \beta_k^C &\leq 1 - \xi & k &= 1, \dots, n_C, \\ 2 - \alpha_k^{NC} &\geq \xi, & \beta_k^{NC} &\geq \xi - 1 & k &= 1, \dots, n_{NC}. \end{aligned}$$

One of the crucial ideas of this proof is the fact that the sum of the  $\beta_k$ 's corresponding to an arbitrary set  $V$  of consecutive vertices of a polygon  $P \subset B_{1-\rho}$ , which is star-shaped with respect to  $B_{\rho_0}$ , satisfies the inequalities  $\xi - 1 \leq \sum_{k \in V} \beta_k \leq 1 - \xi$ . It will be therefore necessary to take into account the ordering of the vertices along the polygon.

As in section 3.2, fix  $w_h \in L_h$  and set  $z_h = \varphi^{-1}(w_h) \in \partial B_{1+h}$ ; thus  $z_h = (1+h)e^{i\theta}$ , for some  $\theta \in [-\pi, \pi]$ . Define  $z = e^{i\theta}$ ,  $w = \varphi(z)$ , and denote by  $S$  the (straight) segment of length  $h$  connecting  $z$  and  $z_h$ . From (2.5) and (2.4) we have

$$\begin{aligned} |w_h - w| &= |\varphi(z_h) - \varphi(z)| \leq \int_S |\varphi'(y)| \, dy \\ &\leq \varphi'(\infty) \int_S \frac{1}{|y|^2} \prod_{k=1}^{n_C} |y - \bar{z}_k^C|^{1-\alpha_k^C} \prod_{k=1}^{n_{NC}} |y - \bar{z}_k^{NC}|^{1-\alpha_k^{NC}} \, dy & (B.1) \\ &\leq \int_S \prod_{k=1}^{n_C} |y - \bar{z}_k^C|^{\beta_k^C} \prod_{k=1}^{n_{NC}} |y - \bar{z}_k^{NC}|^{\beta_k^{NC}} \, dy =: T, \end{aligned}$$

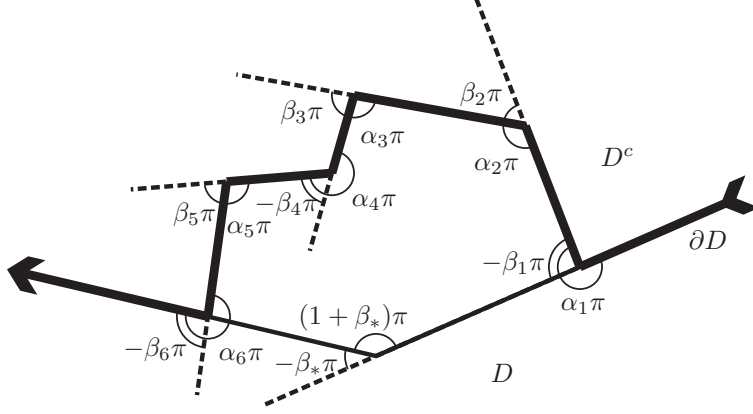


FIG. B.1. The geometrical meaning of the parameters  $\alpha_k$ 's and  $\beta_k$ 's. The  $\alpha_k$ 's are all positive, while the  $\beta_k$ 's are positive only on convex corners:  $\beta_1, \beta_4, \beta_6 < 0 < \beta_2, \beta_3, \beta_5$ . The angle between the first and the last segment can be computed by summing over the  $\beta_k$ 's, i.e.,  $\beta_* := \sum_{k=1}^6 \beta_k$ . In this example  $\beta_*$  is negative since the corresponding internal angle is non convex.

since  $\varphi'(\infty) < 1$  and  $|y| \geq 1$ . Finally, for any  $y \in S$ ,

$$\begin{aligned} |y - \bar{z}_k^C| &\leq 2 + h & k = 1, \dots, n_C, \\ |y - \bar{z}_k^{NC}| &\leq 2 + h & k = 1, \dots, n_{NC}. \end{aligned}$$

With no loss of generality, we consider  $\theta = 0$ , i.e.,  $z = 1$ ,  $z_h = 1 + h$  and  $S$  lies in the positive real axis.

We consider separately four situations.

- i)  $D$  has only one non convex angle. In this case, the term  $T$  in (B.1) can be bounded by

$$T \leq (2 + h)^{\sum_k \beta_k^C} \int_S |y - \bar{z}_1^{NC}|^{\beta_1^{NC}} dy \leq 27 \int_S |y - \bar{z}_1^{NC}|^{\beta_1^{NC}} dy,$$

since  $h \leq 1$  and  $\sum_k \beta_k^C \leq 3$ , due to  $\sum_k \beta_k^C + \beta_1^{NC} = 2$  and  $\beta_1^{NC} \geq -1$ . Since  $\beta_1^{NC} < 0$  and  $|y - \bar{z}_1^{NC}| \geq |y - 1|$  for all  $y \in S$ , we have

$$T \leq 27 \int_S |y - 1|^{\beta_1^{NC}} dy = 27 \int_0^h s^{\beta_1^{NC}} ds = 27 \frac{h^{\beta_1^{NC} + 1}}{\beta_1^{NC} + 1} \leq \frac{27h^\xi}{\xi},$$

because  $\beta_1^{NC} > -1$ ,  $h \leq 1$  and  $\beta_1^{NC} + 1 \geq \xi$ .

- ii)  $D$  has only two non convex angles, and these angles are non consecutive. Assume

$$|1 - \bar{z}_1^{NC}| \leq |1 - \bar{z}_2^{NC}|.$$

The points  $\bar{z}_1^{NC}$  and  $\bar{z}_2^{NC}$  separate the points in  $\{\bar{z}_k^C\}_{k=1}^{n_C}$  into two blocks,  $\{\bar{z}_{j,1}^C\}_{j=1}^{n_{C,1}}$  and  $\{\bar{z}_{j,2}^C\}_{j=1}^{n_{C,2}}$ . We set

$$n_{\text{far},1} = \arg \max_{j=1, \dots, n_{C,1}} |1 - \bar{z}_{j,1}^C|, \quad n_{\text{far},2} = \arg \max_{j=1, \dots, n_{C,2}} |1 - \bar{z}_{j,2}^C|.$$

and assume

$$\left| 1 - \bar{z}_{n_{\text{far},1}}^C \right| \leq \left| 1 - \bar{z}_{n_{\text{far},2}}^C \right|;$$

consequently, as can be inferred from Figure B.2,

$$\left|1 - \bar{z}_{n_{\text{far},1}}^C\right| \leq \left|1 - \bar{z}_2^{NC}\right|. \quad (\text{B.2})$$

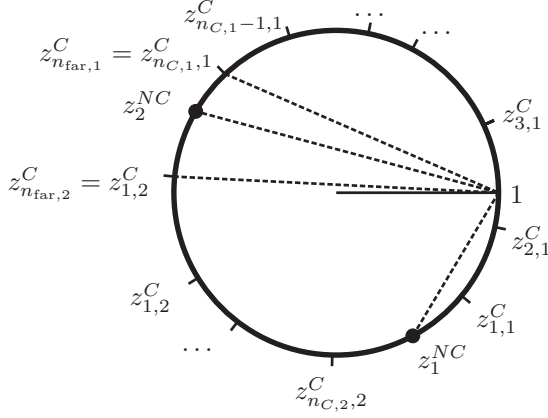


FIG. B.2. The location of the pre-vertices  $z_k$ 's in case ii) with two non consecutive non convex corners. The four dashed segments have lengths  $\max\left\{\left|1 - \bar{z}_1^{NC}\right|; \left|1 - \bar{z}_{n_{\text{far},1}}^C\right|\right\} \leq \min\left\{\left|1 - \bar{z}_2^{NC}\right|; \left|1 - \bar{z}_{n_{\text{far},2}}^C\right|\right\}$ .

We have

$$\begin{aligned} T &= \int_S \left|y - \bar{z}_1^{NC}\right|^{\beta_1^{NC}} \left|y - \bar{z}_2^{NC}\right|^{\beta_2^{NC}} \prod_{j=1}^{n_{C,1}} \left|y - \bar{z}_{j,1}^C\right|^{\beta_{j,1}^C} \prod_{j=1}^{n_{C,2}} \left|y - \bar{z}_{j,2}^C\right|^{\beta_{j,2}^C} dy \\ &\leq \int_S \left|y - \bar{z}_1^{NC}\right|^{\beta_1^{NC}} \left|y - \bar{z}_2^{NC}\right|^{\beta_2^{NC}} \left|y - \bar{z}_{n_{\text{far},1}}^C\right|^{\sum_j \beta_{j,1}^C} \left|y - \bar{z}_{n_{\text{far},2}}^C\right|^{\sum_j \beta_{j,2}^C} dy \\ &\stackrel{(\text{B.2}), \beta_{j,1}^C \geq 0}{\leq} \int_S \left|y - \bar{z}_1^{NC}\right|^{\beta_1^{NC}} \left|y - \bar{z}_2^{NC}\right|^{\beta_2^{NC} + \sum_j \beta_{j,1}^C} \left|y - \bar{z}_{n_{\text{far},2}}^C\right|^{\sum_j \beta_{j,2}^C} dy. \end{aligned}$$

a) If  $\beta_2^{NC} + \sum_j \beta_{j,1}^C \geq 0$ ,

$$T \leq (2+h)^{2-\beta_1^{NC}} \int_S \left|y - \bar{z}_1^{NC}\right|^{\beta_1^{NC}} dy \leq 27 \frac{h^{\beta_1^{NC}+1}}{\beta_1^{NC}+1} \leq \frac{27h^\xi}{\xi}.$$

b) If  $\beta_2^{NC} + \sum_j \beta_{j,1}^C < 0$ , we write

$$T \leq (2+h)^{\sum_j \beta_{j,2}^C} \int_S \left|y - \bar{z}_1^{NC}\right|^{\beta_1^{NC} + \beta_2^{NC} + \sum_j \beta_{j,1}^C} dy.$$

If we prove that

$$\beta^* := \beta_1^{NC} + \beta_2^{NC} + \sum_j \beta_{j,1}^C \geq \xi - 1, \quad (\text{B.3})$$

then  $\sum_j \beta_{j,2}^C = 2 - \beta^* < 3$ , from which

$$T \leq 27 \int_S \left|y - \bar{z}_1^{NC}\right|^{\beta^*} dy \leq \frac{27h^\xi}{\xi}. \quad (\text{B.4})$$



In order to conclude, we only need to prove (B.3).

Consider the counterclockwise oriented part of  $\partial D$  formed by the consecutive (oriented) sides  $s_i$ ,  $i = 1, \dots, m := n_{C,1} + 3$ , abutting  $w_1^{NC}$ ,  $w_{j,1}^C$ ,  $j = 1, \dots, n_{C,1}$ , and  $w_2^{NC}$ . Let  $\ell_i$  be the oriented line containing  $s_i$ ,  $i = 1, \dots, m$ . Since  $D$  is star-shaped with respect to  $B_{\rho_0}$ , then  $B_{\rho_0}$  lies in the intersection of the half planes lying on the left of the  $\ell_i$ 's.

Let  $K$  be the infinite cone obtained by intersecting the right half planes generated by  $\ell_1$  and  $\ell_m$ . Its opening is  $(1 + \beta^*)\pi < \pi$ , with  $\beta^* < 0$  (cf. Figures B.1 and B.3).

Define  $D' := D \setminus \overline{K}$ ;  $D'$  only has one non convex angle of internal amplitude  $(1 - \beta^*)\pi$ . The ball  $B_{\rho_0}$  lies on the left side of every edge of  $D'$ , thus this domain is star-shaped with respect to  $B_{\rho_0}$  and  $D' \subset B_{\rho_0}$ , by Remark A.2 we have  $1 + \beta^* \geq \xi$  (cf. Figure B.3). Therefore,

$$\beta^* \geq \xi - 1 > -1,$$

which concludes the argument.

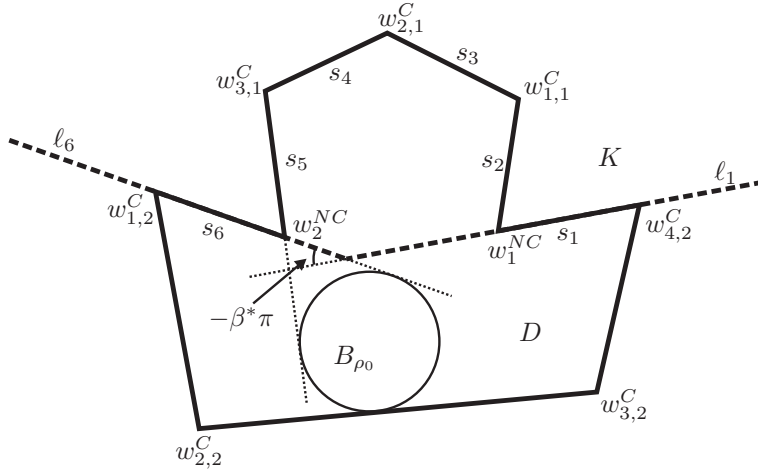


FIG. B.3. An example of a domain  $D$  with two non consecutive, non convex corners ( $w_1^{NC}$  and  $w_1^{NC}$ ). In this case  $n_{C,1} = 3$ ,  $n_{C,2} = 4$  and  $m = 6$ . The cone  $K$  is delimited by the dashed lines  $\ell_1$  and  $\ell_6$ . The ball  $B_{\rho_0}$  lies on the left of every edge when  $\partial D$  is run counterclockwise. The set  $D' = D \setminus \overline{K}$  is star-shaped with respect to  $B_{\rho_0}$ .

iii)  $D$  has only two non convex angles, and these angles are consecutive. We have

$$T \leq (2 + h) \sum_j \beta_j^C \int_S |y - \bar{z}_1^{NC}|^{\beta_1^{NC} + \beta_2^{NC}} dy,$$

assuming again  $|1 - \bar{z}_1^{NC}| \leq |1 - \bar{z}_2^{NC}|$ . If we prove that

$$\beta^* := \beta_1^{NC} + \beta_2^{NC} \geq \xi - 1 > -1, \quad (\text{B.5})$$

then  $\sum_j \beta_j^C = 2 - \beta^* < 3$ , from which we get again (B.4).

For the proof of (B.5), consider the part of  $\partial D$  formed by the  $m = 3$  consecutive sides abutting  $w_1^{NC}$  and  $w_2^{NC}$ ; the rest of the proof is identical to that of (B.3).

iv)  $D$  has more than two non convex angles. We generalise the argument of step ii). Assume that we have  $n$  blocks of consecutive convex angles, alternated by  $n$  blocks

of consecutive convex angles. With a similar notation as before, we can write

$$T \leq \int_S \prod_{i=1}^n \left[ \prod_{j=1}^{n_{NC,i}} |y - \bar{z}_{j,i}^{NC}|^{\beta_{j,i}^{NC}} \prod_{j=1}^{n_{C,i}} |y - \bar{z}_{j,i}^C|^{\beta_{j,i}^C} \right] dy.$$

Setting, for  $i = 1, \dots, n$ ,

$$n_{\text{far},i} = \arg \max_{j=1, \dots, n_{NC,i}} |1 - \bar{z}_{j,i}^C|, \quad n_{\text{near},i} = \arg \min_{j=1, \dots, n_{NC,i}} |1 - \bar{z}_{j,i}^{NC}|,$$

we can bound  $T$  as

$$T \leq \int_S \prod_{i=1}^n \left[ |y - \bar{z}_{\text{near},i}^{NC}|^{\sum_j \beta_{j,i}^{NC}} |y - \bar{z}_{\text{far},i}^C|^{\sum_j \beta_{j,i}^C} \right] dy =: \int_S P(y) dy.$$

We order the blocks in such a way that

$$\begin{aligned} |1 - \bar{z}_{\text{near},i}^{NC}| &\leq |1 - \bar{z}_{\text{near},i+1}^{NC}| & i = 1, \dots, n-1, \\ |1 - \bar{z}_{\text{far},i}^C| &\leq |1 - \bar{z}_{\text{far},i+1}^C| & i = 1, \dots, n-1; \end{aligned}$$

consequently (see Figure B.4),

$$|1 - \bar{z}_{\text{far},i}^C| \leq |1 - \bar{z}_{\text{near},i+1}^{NC}| \quad i = 1, \dots, n-1. \quad (\text{B.6})$$

Thus, we have

$$P(y) \leq |y - \bar{z}_{\text{near},1}^{NC}|^{\sum_j \beta_{j,1}^{NC}} \left[ \prod_{i=1}^{n-1} |y - \bar{z}_{\text{near},i+1}^{NC}|^{\sum_j \beta_{j,i}^C + \sum_j \beta_{j,i+1}^{NC}} \right] (2+h)^{\sum_j \beta_{j,n}^C}.$$

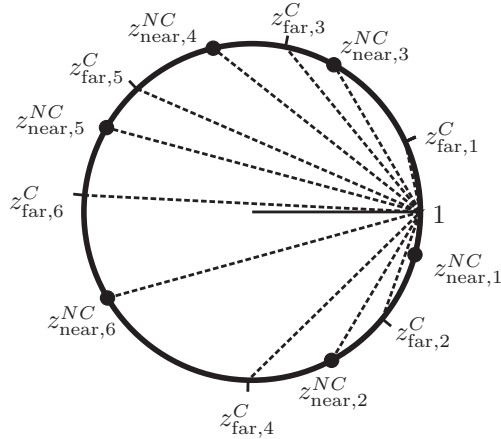


FIG. B.4. The pre-vertices  $z_k$  satisfy the ordering relation (B.6). Notice that  $z_{\text{near},1}^{NC}$  and  $z_{\text{far},n}^C$  (in the picture  $n = 6$ ) do not enter the relation. Therefore it is not relevant which one between  $z_{\text{far},1}^C$  and  $z_{\text{near},1}^{NC}$  is closest to 1. The number of pre-vertices lying in the upper and in the lower half of the complex plane does not affect the ordering of the distances.

We consider the term with index  $n-1$  in the product and look at its exponent  $(\sum_j \beta_{j,n-1}^C + \sum_j \beta_{j,n}^{NC})$ ;

a) if it is  $\geq 0$ , we combine the term with index  $n - 1$  with the following term (the last one) and obtain

$$P(y) \leq |y - \bar{z}_{\text{near},1}^{NC}|^{\sum_j \beta_{j,1}^{NC}} \left[ \prod_{i=1}^{n-2} |y - \bar{z}_{\text{near},i+1}^{NC}|^{\sum_j \beta_{j,i}^C + \sum_j \beta_{j,i+1}^{NC}} \right] \\ \cdot (2 + h)^{\sum_j \beta_{j,n-1}^C + \sum_j \beta_{j,n}^{NC} + \sum_j \beta_{j,n}^C};$$

b) if it is  $< 0$ , we combine the term with index  $n - 1$  with the previous term (the one with index  $n - 2$ ) and obtain

$$P(y) \leq |y - \bar{z}_{\text{near},1}^{NC}|^{\sum_j \beta_{j,1}^{NC}} \left[ \prod_{i=1}^{n-3} |y - \bar{z}_{\text{near},i+1}^{NC}|^{\sum_j \beta_{j,i}^C + \sum_j \beta_{j,i+1}^{NC}} \right] \\ \cdot |y - \bar{z}_{\text{near},n-1}^{NC}|^{\sum_j \beta_{j,n-2}^C + \sum_j \beta_{j,n-1}^{NC} + \sum_j \beta_{j,n-1}^C + \sum_j \beta_{j,n}^{NC}} (2 + h)^{\sum_j \beta_{j,n}^C}.$$

Then, we proceed backward, considering the term of with index  $i = n - 2$  and, depending on whether its exponent is  $\geq 0$  or  $< 0$ , we combine it either with the following term or with the previous term the way we did before, and so on, until the term  $i = 1$ . We end up with three factors in the upper bound of  $P(y)$ : the first one is  $|y - \bar{z}_{\text{near},1}^{NC}|^{\sum_j \beta_{j,1}^{NC}}$ , the third one is  $(2 + h)^B$ , with  $B > 0$ , and the second one is  $|y - \bar{z}_{\text{near},2}^{NC}|^A$ . If  $A \geq 0$ , we conclude as in step ii), case a), while if  $A < 0$ , in order to conclude as in step ii), case b), we need to prove that

$$\beta^* := \sum_j \beta_{j,1}^{NC} + A \geq \xi - 1 > -1. \quad (\text{B.7})$$

Since the blocks of (convex an non convex) angles corresponding to the  $\beta$ 's entering the expression  $\beta_{j,1}^{NC} + A$  are consecutive, the proof of (B.7) can be carried out as the proof of (B.3).

The proof in the polygonal case is complete.

**B.2. Domains with non-polygonal boundaries.** We begin with the following trigonometric lemma.

LEMMA B.1. *Let  $0 < R_1 < R_2 < +\infty$ , and fix two distinct straight lines  $\ell_1$  and  $\ell_2$  that are tangent to  $B_{R_1}$  in the two points  $y_1$  and  $y_2$  ( $y_1 \neq y_2$ ), respectively. We denote by  $x_1$  the intersection between the circle  $\partial B_{R_2}$  and the line  $\ell_1$  such that, in a counterclockwise orientation,  $x_1, y_1$  and  $0$  appear with this ordering as vertices of a triangle. Symmetrically, we denote by  $x_2$  the intersection between the circle  $\partial B_{R_2}$  and the line  $\ell_2$  such that, in a clockwise orientation,  $x_2, y_2$  and  $0$  appear with this ordering. We denote by  $C_\eta$  the infinite convex sector with opening  $\eta\pi$ ,  $0 \leq \eta \leq 1$ , defined by the two half lines generating at the origin and passing through  $x_1$  and  $x_2$ , respectively (see Figure B.5).*

*If  $\eta < \frac{2}{\pi} \arcsin \frac{R_1}{R_2}$ , then  $\ell_1$  and  $\ell_2$  intersect at a point  $w$  that lies in the interior of  $C_\eta$ . Moreover, if  $|w| > R_2$  and if we define  $\varepsilon := |w - x_1| = |w - x_2| > 0$ ,  $\eta$  is related to  $\varepsilon, R_1$  and  $R_2$  by the following formula:*

$$0 < \eta(\varepsilon, R_1, R_2) = \frac{2}{\pi} \arccos \frac{R_2^2 + \varepsilon \sqrt{R_2^2 - R_1^2}}{R_2 \sqrt{\varepsilon^2 + R_2^2 + 2\varepsilon \sqrt{R_2^2 - R_1^2}}} < \frac{2}{\pi} \arcsin \frac{R_1}{R_2}. \quad (\text{B.8})$$

*For  $\varepsilon > 0$ , the function  $\varepsilon \mapsto \eta(\varepsilon, R_1, R_2)$  is continuous and strictly increasing. For  $R_2 > R_1$ , the function  $R_2 \mapsto \eta(\varepsilon, R_1, R_2)$  is continuous and strictly decreasing.*

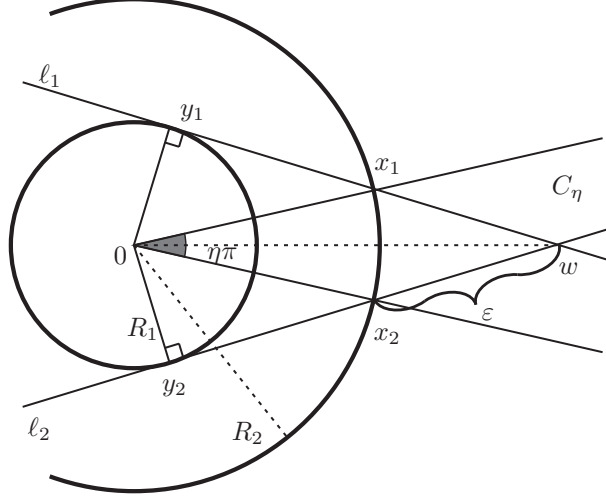


FIG. B.5. The geometric configuration in Lemma B.1.

*Proof.* We consider the limit case  $\eta = \frac{2}{\pi} \arcsin \frac{R_1}{R_2} < 1$ . Then,  $R_2 \sin \frac{\eta\pi}{2} = R_1$  and, as depicted in Figure B.6, the lines  $\ell_1$  and  $\ell_2$  are parallel to each other. Therefore, whenever  $\eta$  is smaller than this threshold value,  $\ell_1$  and  $\ell_2$  will intersect on the central half line of  $C_\eta$ .

We apply Pythagoras's theorem twice: to the triangle of vertices  $x_1$ ,  $y_1$  and 0, yielding  $|x_1 - y_1|^2 = R_2^2 - R_1^2$ , and then to the triangle of vertices  $w$ ,  $y_1$  and 0, leading to

$$|w|^2 = R_1^2 + \left( \varepsilon + \sqrt{R_2^2 - R_1^2} \right)^2 = \varepsilon^2 + R_2^2 + 2\varepsilon\sqrt{R_2^2 - R_1^2}.$$

From the law of cosines applied to the triangle of vertices  $w$ ,  $x_1$  and 0, we obtain

$$2|w|R_2 \cos \frac{\eta\pi}{2} = |w|^2 + R_2^2 - \varepsilon^2$$

from which the identity in the assertion follows.

The monotonicity in dependence of  $\varepsilon$  and  $R_2$  can be verified by computing the derivative of the expression in (B.8). The last inequality in the assertion follows from

$$\eta(\varepsilon, R_1, R_2) < \lim_{\varepsilon \rightarrow \infty} \eta(\varepsilon, R_1, R_2) = \frac{2}{\pi} \arccos \sqrt{1 - \frac{R_1^2}{R_2^2}} = \frac{2}{\pi} \arcsin \frac{R_1}{R_2}$$

which uses the monotonicity of  $\eta$  as a function of  $\varepsilon$ , and the identity  $\sin \arccos \sqrt{1 - t^2} = |t|$ .  $\square$

We can now complete the proof of the bound (3.2) in the general case. In order to do that, we will construct a polygon  $P_\varepsilon \supset D$ , which is star-shaped with respect to  $B_{\rho_0}$ . The maximal distance  $\sup_{w \in \partial P_\varepsilon} d(w, \partial D)$  will be made arbitrarily small, and the parameter  $\xi$  (defined in Theorem 3.1) relative to  $P_\varepsilon$  will converge to the one relative to  $D$ . Then, invoking the result of Section B.1 completes the proof in the case of non-polygonal domains.

Consider a domain  $D$  satisfying Assumption 1.1. Fix  $\varepsilon > 0$ . Define an integer  $N \in \mathbb{N}$  such that

$$\eta_\varepsilon := \frac{2}{N} \leq \eta(\varepsilon, \rho_0, 1 - \rho),$$

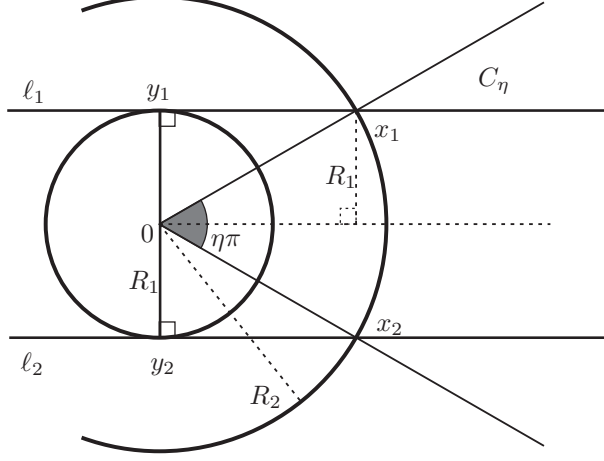


FIG. B.6. The limit case  $\eta = \frac{2}{\pi} \arcsin \frac{R_1}{R_2}$  in the proof of Lemma B.1.

where  $\eta(\cdot, \cdot, \cdot)$  was defined in formula (B.8). We select the points  $w_j \in \partial D$ ,  $j = 1, \dots, N$ , that have complex argument (namely, angular polar coordinate) equal to  $\theta_j \pi := j \eta_\varepsilon \pi$  for  $j = 1, \dots, N$ . (In this proof we assume that all the indices  $j$  are taken modulus  $N$ .)

Let  $\ell_j^+$  and  $\ell_j^-$  be the two tangent (straight) lines to  $B_{\rho_0}$  passing through  $w_j$  and such that, sitting in  $w_j$  and looking at  $B_{\rho_0}$ ,  $\ell_j^+$  is on the left and  $\ell_j^-$  is on the right (notice that the two lines do not coincide, since  $\rho_0 < \rho \leq |w_j|$ ), see Figure B.8.

Consider the two lines  $\ell_j^+$  and  $\ell_{j+1}^-$ . If  $|w_j| = |w_{j+1}|$ , then they satisfy the assumptions of Lemma B.1 (since  $R_2 \mapsto \frac{2}{\pi} \arcsin \frac{\rho_0}{R_2}$  is monotonically decreasing, the definition of  $\eta_\varepsilon$  made above guarantees the needed bound for any value of  $\rho_0 \leq R_2 = |w_j| \leq 1 - \rho$ ). Thus they intersect at a point  $v_j$  such that  $|v_j| \geq |w_j| = |w_{j+1}|$  and whose complex argument satisfies  $\theta_j \pi \leq \arg(v_j) \leq \theta_{j+1} \pi$ . Moreover,  $|v_j - w_j| = |v_j - w_{j+1}| \leq \varepsilon$ , due to the monotonicity of the map  $\eta(\varepsilon, \rho_0, |w_j|) \mapsto \varepsilon$ .

On the other hand, if  $|w_j| < |w_{j+1}|$  (the opposite case is analogous), then  $v_j$  lies closer to  $w_{j+1}$  than in the previous case (see Figure B.7); therefore, in all the situations, we have

$$d(v_j, \partial D) \leq \min\{|v_j - w_j|, |v_j - w_{j+1}|\} \leq \varepsilon. \quad (\text{B.9})$$

Notice that, given  $|w_{j+1}|$ ,  $\rho_0$  and  $\eta_\varepsilon$ , due to the star-shapedness assumption,  $|w_j|$  can not be arbitrarily small, namely it can not trespass the point denoted with  $z$  in Figure B.7.

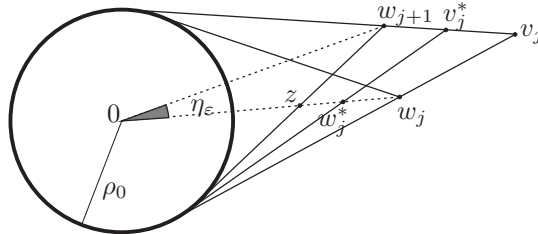


FIG. B.7. The comparison of the cases  $|w_j| = |w_{j+1}|$  and  $|w_j^*| < |w_{j+1}|$  for a fixed  $w_{j+1}$ . In the second case, the constructed point  $v_j^*$  is closer to  $w_{j+1}$  than in the first case, namely,  $|v_j^* - w_{j+1}| < |v_j - w_{j+1}|$ .

Notice that every domain which is star-shaped with respect to  $B_{\rho_0}$  and such that its

boundary contains the point  $w_j$  (e.g., the domain  $D$  satisfies these requests) can not cross the segments  $[v_{j-1}, w_j]$  and  $[w_j, v_j]$ .

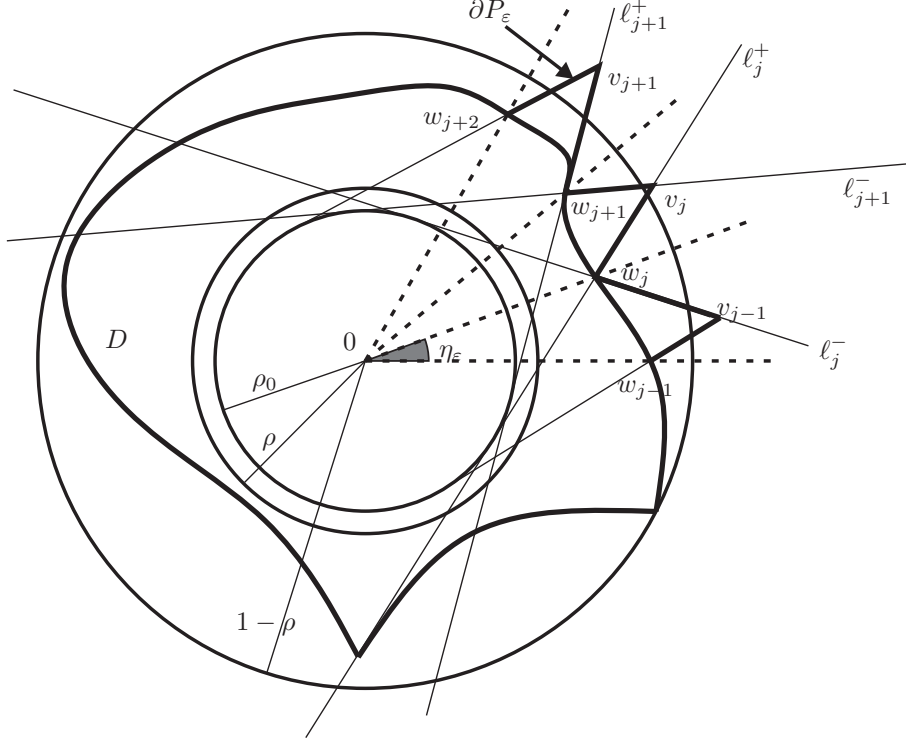


FIG. B.8. The construction of the star-shaped polygon  $P_\varepsilon$  enclosing the non-polygonal, non-convex domain  $D$ .

Now we define the polygon  $P_\varepsilon$  with  $2N$  sides whose vertices are  $w_1, v_1, w_2, \dots, w_N, v_N$ . Every edge of  $P_\varepsilon$  is part of either  $l_j^+$  or  $l_j^-$ . The polygon  $P_\varepsilon$  satisfies the following conditions:

- i)  $P_\varepsilon$  is star-shaped with respect to  $B_{\rho_0}$ , since the continuation of each of its edges is tangent to  $B_{\rho_0}$  and (in a counterclockwise orientation of  $\partial P_\varepsilon$ ) leaves  $B_{\rho_0}$  on its left;
- ii)  $D \subseteq P_\varepsilon$ , since it contains every domain  $D'$  that is star-shaped with respect to  $B_{\rho_0}$  and that satisfies  $\{w_j\}_{j=1}^N \subset \partial D'$ ;
- iii) for every  $w \in \partial P_\varepsilon$ ,  $d(w, \partial D) \leq \varepsilon$ ; in fact, since  $\{w_j\}_{j=1}^N \subset \partial D$ , the maximum distance from  $\partial D$  is achieved in one of the vertices  $v_j$  and this is controlled by the bound (B.9).

Then we can conclude as in the convex case. Fix  $w_h \in L_h = L_h[\overline{D}]$ . Choose  $0 < \varepsilon < \rho$  and define the polygon  $P_\varepsilon$  as above (so that  $P_\varepsilon \subset B_1$  and  $\varphi'_{P_\varepsilon}(\infty) \leq 1$ ). Then,  $w_h \in L_{h'}[\overline{P_\varepsilon}]$  with  $h' \leq h$ , as a consequence of Lemma 2.2. Let  $z_{h'} := \varphi_{P_\varepsilon}^{-1}(w_h) = (1 + h')e^{i\theta}$ , and define  $z := e^{i\theta}$ ,  $\xi_\varepsilon := \frac{2}{\pi} \arcsin \frac{\rho_0}{1-\rho+\varepsilon} < \xi$ . Then, from Section B.1,

$$\begin{aligned} d(w_h, \partial D) &\leq d(w_h, \varphi_{P_\varepsilon}(z)) + d(\varphi_{P_\varepsilon}(z), \partial D) = |\varphi_{P_\varepsilon}(z_{h'}) - \varphi_{P_\varepsilon}(z)| + d(\varphi_{P_\varepsilon}(z), \partial D) \\ &\leq \frac{27}{\xi_\varepsilon} h^{\xi_\varepsilon} + \varepsilon. \end{aligned}$$

Since this holds true for every  $0 < \varepsilon < \rho$ , by taking the limit for  $\varepsilon \rightarrow 0$ , we get  $d(w_h, \partial D) \leq \frac{27}{\xi} h^\xi$  for all  $w_h \in L_h$ .

## REFERENCES

- [1] D. N. ARNOLD, F. BREZZI, B. COCKBURN, AND L. D. MARINI, *Unified analysis of discontinuous Galerkin methods for elliptic problems*, SIAM J. Numer. Anal., 39 (2002), pp. 1749–1779.
- [2] I. BABUŠKA AND B. Q. GUO, *The  $h$ - $p$  version of the finite element method for domains with curved boundaries*, SIAM J. Numer. Anal., 25 (1988), pp. 837–861.
- [3] ———, *Regularity of the solution of elliptic problems with piecewise analytic data. I. Boundary value problems for linear elliptic equation of second order*, SIAM J. Math. Anal., 19 (1988), pp. 172–203.
- [4] ———, *The  $h$ - $p$  version of the finite element method for problems with nonhomogeneous essential boundary condition*, Comput. Methods Appl. Mech. Engrg., 74 (1989), pp. 1–28.
- [5] ———, *Regularity of the solution of elliptic problems with piecewise analytic data. II. The trace spaces and application to the boundary value problems with nonhomogeneous boundary conditions*, SIAM J. Math. Anal., 20 (1989), pp. 763–781.
- [6] G. A. BAKER, *Finite element methods for elliptic equations using nonconforming elements*, Math. Comp., 31 (1977), pp. 45–59.
- [7] C. E. BAUMANN AND J. T. ODEN, *A discontinuous  $hp$  finite element method for convection-diffusion problems*, Comput. Methods Appl. Mech. Engrg., 175 (1999), pp. 311–341.
- [8] O. CESSENAT AND B. DESPRÉS, *Application of an ultra weak variational formulation of elliptic PDEs to the two-dimensional Helmholtz equation*, SIAM J. Numer. Anal., 35 (1998), pp. 255–299.
- [9] P. J. DAVIS, *Interpolation and approximation*, Dover Publications Inc., New York, 1975. Republication, with minor corrections, of the 1963 original, with a new preface and bibliography.
- [10] J. DOUGLAS, JR. AND T. DUPONT, *Interior penalty procedures for elliptic and parabolic Galerkin methods*, in Computing methods in applied sciences (Second Internat. Sympos., Versailles, 1975), Springer, Berlin, 1976, pp. 207–216. Lecture Notes in Phys., Vol. 58.
- [11] T. A. DRISCOLL AND L. N. TREFETHEN, *Schwarz-Christoffel mapping*, vol. 8 of Cambridge Monographs on Applied and Computational Mathematics, Cambridge University Press, Cambridge, 2002.
- [12] L. C. EVANS AND R. F. GARIEPY, *Measure theory and fine properties of functions*, Studies in Advanced Mathematics, CRC Press, Boca Raton, FL, 1992.
- [13] C. FARHAT, I. HARARI, AND U. HETMANIUK, *A discontinuous Galerkin method with Lagrange multipliers for the solution of Helmholtz problems in the mid-frequency regime*, Comput. Methods Appl. Mech. Eng., 192 (2003), pp. 1389–1419.
- [14] G. GABARD, P. GAMALLO, AND T. HUTTUNEN, *A comparison of wave-based discontinuous Galerkin, ultra-weak and least-square methods for wave problems*, Internat. J. Numer. Methods Engrg., 85 (2011), pp. 380–402.
- [15] D. GILBARG AND N. TRUDINGER, *Elliptic Partial Differential Equations of Second Order*, Classics in Mathematics, Springer-Verlag, 2nd ed., 1983.
- [16] P. GRISVARD, *Elliptic problems in nonsmooth domains*, vol. 24 of Monogr. Stud. Math., Pitman, Boston, 1985.
- [17] P. HENRICI, *Applied and computational complex analysis. Vol. 1*, Pure and Applied Mathematics, John Wiley & Sons, New York, 1974. Power series—integration—conformal mapping—location of zeros.
- [18] ———, *Applied and computational complex analysis. Vol. 3*, Pure and Applied Mathematics, John Wiley & Son, New York, 1986. Discrete Fourier analysis—Cauchy integrals—construction of conformal maps—univalent functions.
- [19] R. HIPTMAIR, A. MOIOLA, AND I. PERUGIA, *Plane wave discontinuous Galerkin methods for the 2D Helmholtz equation: analysis of the  $p$ -version*, SIAM J. Numer. Anal., 49 (2011), pp. 264–284.
- [20] ———, *Trefftz discontinuous Galerkin methods for acoustic scattering on locally refined meshes*, Technical report 2012-06, SAM-ETH Zürich, Zürich, Switzerland, 2012. Submitted to Appl. Numer. Math.
- [21] T. HUTTUNEN, P. MONK, AND J. P. KAIPIO, *Computational aspects of the ultra-weak variational formulation*, J. Comput. Phys., 182 (2002), pp. 27–46.
- [22] F. LI, *On the negative-order norm accuracy of a local-structure-preserving LDG method*, J. Sci. Comput., 51 (2012), pp. 213–223.
- [23] F. LI AND C.-W. SHU, *A local-structure-preserving local discontinuous Galerkin method for the Laplace equation*, Methods Appl. Anal., 13 (2006), pp. 215–233.
- [24] A. I. MARKUSHEVICH, *Theory of functions of a complex variable. Vol. I, II, III*, Chelsea Publishing Co., New York, english ed., 1977. Translated and edited by Richard A. Silverman.
- [25] J. M. MELENK, *On Generalized Finite Element Methods*, PhD thesis, University of Maryland, 1995.
- [26] ———, *Operator adapted spectral element methods I: harmonic and generalized harmonic polynomials*, Numer. Math., 84 (1999), pp. 35–69.
- [27] J. M. MELENK AND I. BABUŠKA, *The partition of unity finite element method: basic theory and applications*, Comput. Methods Appl. Mech. Engrg., 139 (1996), pp. 289–314.
- [28] A. MOIOLA, *Trefftz-discontinuous Galerkin methods for time-harmonic wave problems*, PhD thesis, Seminar for applied mathematics, ETH Zürich, 2011.

- Available at <http://e-collection.library.ethz.ch/view/eth:4515>.
- [29] A. MOIOLA, R. HIPTMAIR, AND I. PERUGIA, *Vekua theory for the Helmholtz operator*, *Z. Angew. Math. Phys.*, 62 (2011), pp. 779–807.
  - [30] P. MONK AND D.Q. WANG, *A least squares method for the Helmholtz equation*, *Comput. Methods Appl. Mech. Eng.*, 175 (1999), pp. 121–136.
  - [31] R. NEVANLINNA AND V. PAATERO, *Introduction to complex analysis*, Translated from the German by T. Kövari and G. S. Goodman, Addison-Wesley Publishing Co., Reading, Mass.-London-Don Mills, Ont., 1969.
  - [32] B. RIVIÈRE, M. F. WHEELER, AND V. GIRAULT, *Improved energy estimates for interior penalty, constrained and discontinuous Galerkin methods for elliptic problems. I*, *Comput. Geosci.*, 3 (1999), pp. 337–360 (2000).
  - [33] C. SCHWAB, *p- and hp-Finite Element Methods. Theory and Applications in Solid and Fluid Mechanics*, Numerical Mathematics and Scientific Computation, Clarendon Press, Oxford, 1998.
  - [34] I. N. VEKUA, *New methods for solving elliptic equations*, North Holland, 1967.
  - [35] J. L. WALSH, *Interpolation and approximation by rational functions in the complex domain*, Fifth edition. American Mathematical Society Colloquium Publications, Vol. XX, American Mathematical Society, Providence, R.I., 1969.
  - [36] R. WEBSTER, *Convexity*, Oxford Science Publications, Oxford University Press, New York, 1994.
  - [37] T. P. WIHLER, *Discontinuous Galerkin FEM for Elliptic Problems in Polygonal Domains*, PhD thesis, Swiss Federal Institute of Technology Zurich, 2002. Available at <http://e-collection.library.ethz.ch/view/eth:26201>.
  - [38] T. P. WIHLER, P. FRAUENFELDER, AND C. SCHWAB, *Exponential convergence of the hp-DGFEM for diffusion problems*, *Comput. Math. Appl.*, 46 (2003), pp. 183–205. *p-FEM2000: p and hp finite element methods—mathematics and engineering practice* (St. Louis, MO).



# Research Reports

No.	Authors/Title
12-38	<i>R. Hiptmair, A. Moiola, I. Perugia and Ch. Schwab</i> Approximation by harmonic polynomials in star-shaped domains and exponential convergence of Trefftz $hp$ -DGFEM
12-37	<i>Cl. Schillings and Ch. Schwab</i> Sparse, adaptive Smolyak algorithms for Bayesian inverse problems
12-36	<i>R. Hiptmair and L. Kielhorn</i> BETL A generic boundary element template library
12-35	<i>S. Mishra, N.H. Risebro, Ch. Schwab and S. Tokareva</i> Numerical solution of scalar conservation laws with random flux functions
12-34	<i>R. Hiptmair, Ch. Schwab and C. Jerez-Hanckes</i> Sparse tensor edge elements
12-33	<i>R. Hiptmair, C. Jerez-Hanckes and S. Mao</i> Extension by zero in discrete trace spaces: Inverse estimates
12-32	<i>A. Lang, S. Larsson and Ch. Schwab</i> Covariance structure of parabolic stochastic partial differential equations
12-31	<i>A. Madrane, U.S. Fjordholm, S. Mishra and E. Tadmor</i> Entropy conservative and entropy stable finite volume schemes for multi-dimensional conservation laws on unstructured meshes
12-30	<i>G.M. Coclite, L. Di Ruvo, J. Ernest and S. Mishra</i> Convergence of vanishing capillarity approximations for scalar conservation laws with discontinuous fluxes
12-29	<i>A. Abdulle, A. Barth and Ch. Schwab</i> Multilevel Monte Carlo methods for stochastic elliptic multiscale PDEs
12-28	<i>E. Fonn, Ph. Grohs and R. Hiptmair</i> Hyperbolic cross approximation for the spatially homogeneous Boltzmann equation
12-27	<i>P. Grohs</i> Wolfowitz's theorem and consensus algorithms in Hadamard spaces
12-26	<i>H. Heumann and R. Hiptmair</i> Stabilized Galerkin methods for magnetic advection
12-25	<i>F.Y. Kuo, Ch. Schwab and I.H. Sloan</i> Multi-level quasi-Monte Carlo finite element methods for a class of elliptic partial differential equations with random coefficients